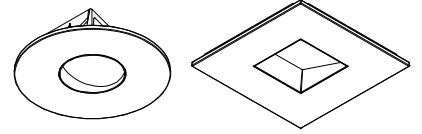


Wall Wash Trim Plate Installation Instructions

Recessed Housing Model 400 & 800 Series



WW4 Trim Plate Models For 400 Series Housings

Step 1 Unlock & adjust lamp head to 20° vertical aiming angle for optimal wall wash performance-FIG 1.1.

Step 2 Unlock & adjust horizontal aiming angle to aim light towards wall surface to be illuminated-FIG 1.2.
Install Housing so Cable Screw is close to wall as shown below so Safety Cable on Trim plate can reach the hole.
Secure Lock Screws for orientation desired.

Note: Magnets will permit Trim Plates to only be installed in 4 horizontal orientations. If an in-between position is desired, the fixture housing Lock Screws can be loosened & the Housing can be rotated to position needed (refer to Model 400 Installation Instruction for details).

Step 3 Orient & install Wall Wash Trim Plate into Trim as shown-FIG 1.3.

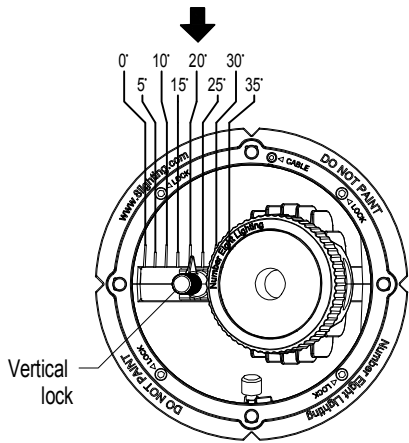


FIG 1.1 Adjust Vertical & Horizontal Aiming Angle

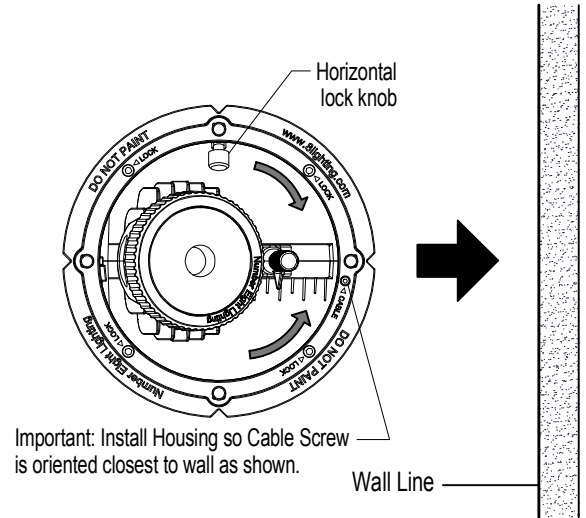


FIG 1.2 Adjust Horizontal position

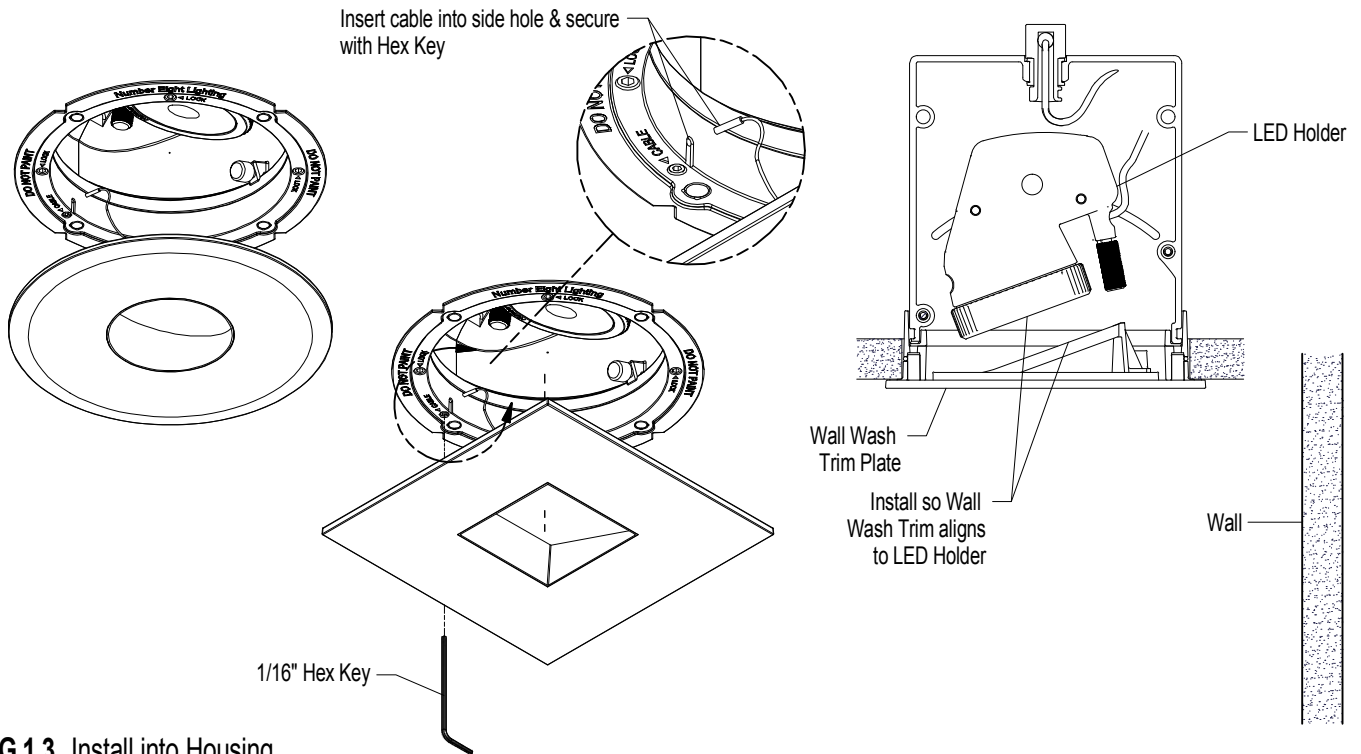
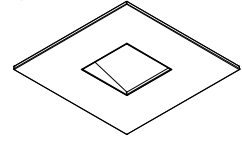
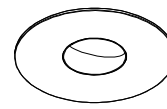


FIG 1.3 Install into Housing

Wall Wash Trim Plate Installation Instructions

Recessed Housing Model 400 & 800 Series



WW-8 Trim Plate Models for 800 Series Housings

Important: WW-8 Trim Plates can only be used with J, J2 & J2S Lamp Modules. Use 40° TIR Optic for optimal performance. Diffuser Lens accessories are not recommended.

Step 1 Unlock & adjust J Lamp Module to 20° vertical aiming angle for optimal wall wash performance-FIG 2.1.

Step 2 Unlock & adjust horizontal position to aim light towards wall surface to be illuminated-FIG 2.2.

Step 3 Orient & install Wall Wash Trim Plate into Trim as shown-FIG 2.3.

Note: Magnets will permit Trim Plates to only be installed in 4 horizontal orientations. An in-between position can be achieved only with Round Wood Trim Kits (not shown). Refer to P/N 10301 Wood/Stone Trim Installation Instruction for details.

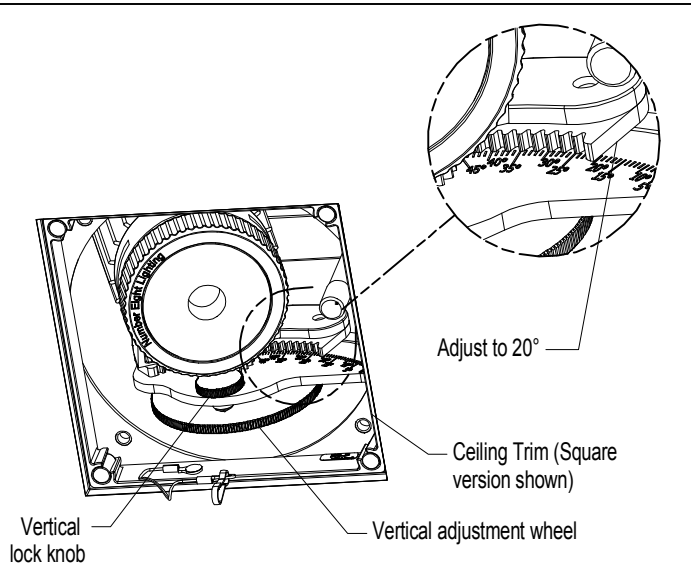


FIG 2.1 Adjust Vertical Aiming Angle

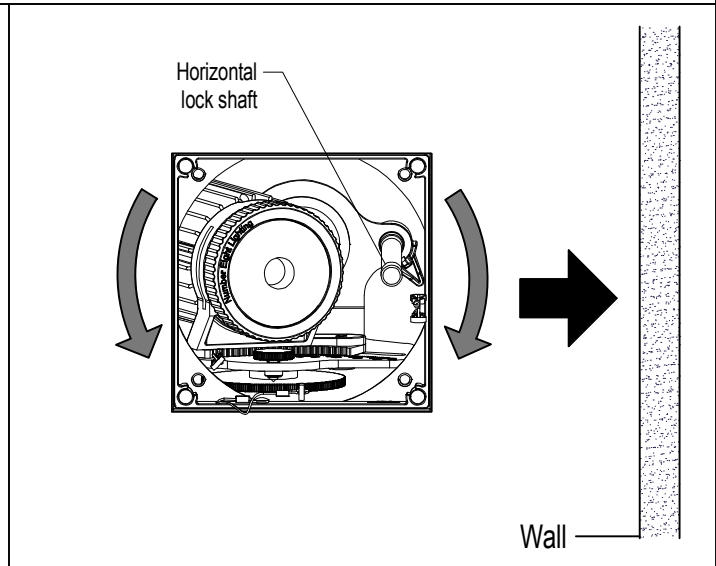


FIG 2.2 Adjust Horizontal position

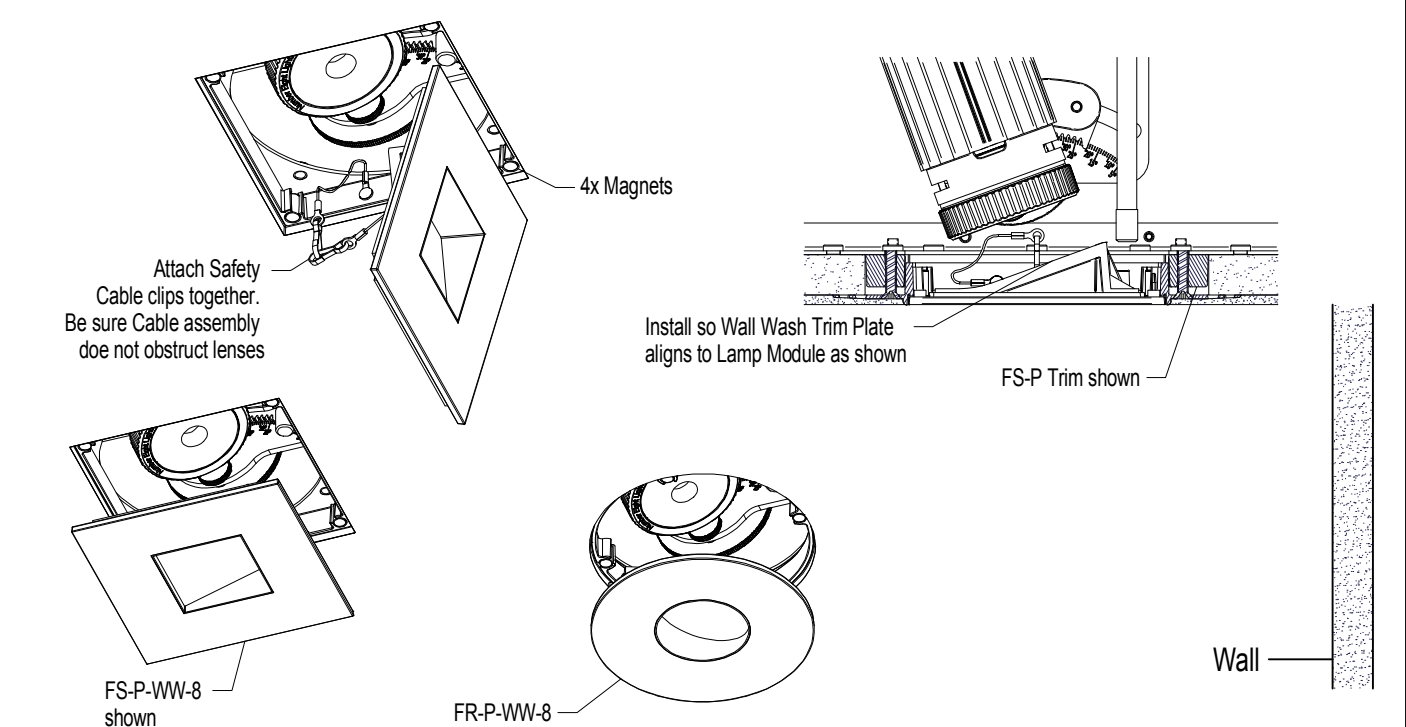


FIG 2.3 Install Wall Wash Trim Plate