


404 NEW CONSTRUCTION IC/AT RATED ADJUSTABLE | MR-16
FLS-4/FLR-4 FLANGED TRIM 2" APERTURE
FRM-4/FRM-4-CP MOUNTING FRAME

Project Name	
Date	Type
Prepared By	
Comments	
Catalog # 404 - ET-120 - / - - -	




N^o
eight
LIGHTING

526 Portal Street
Cotati, CA 94931
USA
P 707.794.0888
F 707.795.4379
www.8lighting.com

All No. 8 Lighting fixtures and components are UL/CSA listed. No. 8 Lighting trims and lamp modules are protected by one or more U.S. Patents. No. 8 Lighting reserves the right to change details of design, materials, and finish.

© 2019 No. 8 Lighting
Doc # 91294-12.0



PRODUCT FEATURES

Housing + Lamp Module

- **404** Patented fixture assembly for NEW CONSTRUCTION applications. Two mounting frame options include junction box, power supply, and bar hangers. Accommodates a wide range of ceiling thicknesses without affecting aiming or adjustment.
- Airtight and IC rated for direct contact with standard or spray-foam* thermal insulation with a max combined R-value of R42 (may also be installed in Non-IC applications). Meets Washington State Airtight Standard WAC 51-11-0502 and in accordance with ASTM E283 to reduce energy loss. CCEA* plenum rated for City of Chicago environmental air spaces.
- Fully adjustable MR-16 lamp module features toolless adjustment mechanism optimized for true 0.35° vertical and 360° horizontal adjustment. Use for adjustable accent, wall wash**, and general lighting applications.
- High quality porcelain socket (GX5.3 base) with 14" 18 AWG/250°C PTFE leads.
- 10 watt maximum Halogen or LED MR16 lamp (not included).
- Accepts up to two optical accessories.
- JA8-2016 CA Title 24 Compliant when used with JA8 Compliant LED MR-16 lamps.

*For spray-foam or CCEA applications, specify **FRM-4-CP** mounting frame.

For wall washing, use 36-40° beam spread MR-16 and **WW-4 wall wash accessory with trim.

Transformer

- **ET-120** Integral electronic transformer. 120v-60Hz input/11.7v output.
- Thermally protected to prevent overheating from mis-lamping.
- Transformer removable and accessible from below after installation.
- For dimmer compatibility testing with SORAA Vivid or Brilliant Series 7.5W LED MR-16 lamps, see: 8lighting.com/resources-downloads/

Trim Options

- **FLS-4** Flanged FLAT Square 2" Aperture.
- **FLR-4** Flanged FLAT Round 2" Aperture.
- **FLS-4-BV** Flanged BEVELED Square 2" Aperture.
- **FLR-4-BV** Flanged BEVELED Round 2" Aperture.

Trim Finish

- Available finishes include: **WH** - White (field paintable to match ceiling finish) and **OB** - Oil-Rubbed Bronze.

Trim Accessories

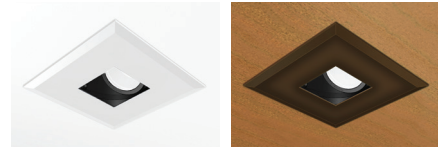
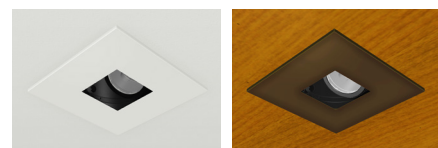
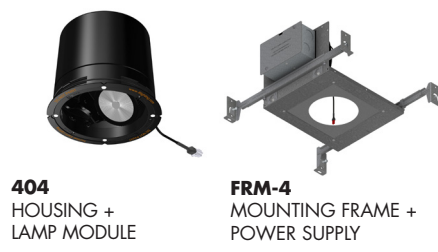
- **CL4** CLEAR lens factory installed in trim plate.
- **SF4** SOFT FOCUS lens factory installed in trim plate.
- **WW-4** WALL WASH accessory factory installed in trim plate.

Note: Trim accessories are UL WET LISTED (covered ceiling applications). Not for use in steam applications.

Mounting Options

- **FRM-4** MOUNTING FRAME for installation in rigid (sheetrock, stone, or wood) ceiling applications with FLANGED trim. Includes power supply, junction box, and bar hangers for joist mounting.
- **FRM-4-CP** MOUNTING FRAME for installation in rigid (sheetrock, stone, or wood) ceiling applications with FLANGED trim. CCEA approved for Chicago Plenum or spray-foam insulation applications. Includes power supply, junction box, and bar hangers for joist mounting.
- Optional **PMB** PANEL MOUNTING BRACKETS (set of two) for use with mounting frames.

JA8-2016 CA Title 24 Compliant when used with JA8 compliant LED MR-16 lamp.



PRODUCT SPECIFIER/PRODUCT ORDER NUMBER

404 - ET-120 - /

HOUSING + LAMP MODULE	TRANSFORMER	OPTICAL ACCESSORIES / (Optional)	TRIM OPTIONS	TRIM FINISH	TRIM ACCESSORIES (Optional)	MOUNTING OPTIONS
404 Housing + Lamp Module for NEW CONSTRUCTION applications AIRTIGHT and IC rated Adjustable MR-16 (10W Max) with 0-35° tilt and 360° rotation	ET-120 Integral electronic transformer	SF SOFT FOCUS Lens LS LINEAR SPREAD Lens LSF FROSTED LINEAR	FLS-4 Flanged FLAT Square 2" Aperture FLR-4 Flanged FLAT Round 2" Aperture FLS-4-BV Flanged BEVELED Square 2" Aperture FLR-4-BV Flanged BEVELED Round 2" Aperture	WH White OB Oil-Rubbed Bronze	CL4 CLEAR lens SF4 SOFT FOCUS lens WW-4 WALL WASH accessory Lensed trims and WW-4 accessory are rated for use in DRY, DAMP, or WET locations (covered ceiling applications only)	FRM-4 MOUNTING FRAME for FLANGED trims in rigid ceilings. FRM-4-CP MOUNTING FRAME for FLANGED trims in rigid ceilings. Approved for CCEA and spray-foam insulation applications. PMB PANEL MOUNTING BRACKETS (set of two)

Up to two optical accessories can be accommodated.

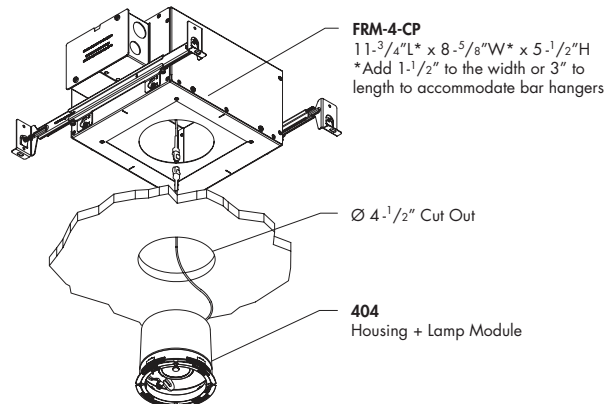
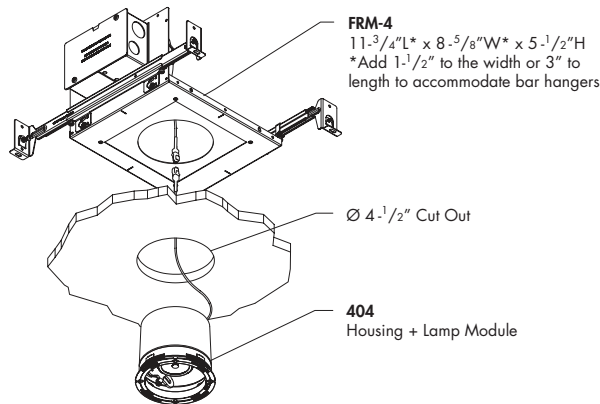
Bar hangers (for joist mounting) are included standard. Optional mounting accessories shipped separately.

Trim accessories are factory installed into trim plates and are UL WET LISTED (for covered ceiling applications). Wet listed trims are not for use in steam applications.

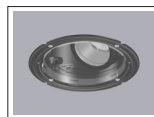
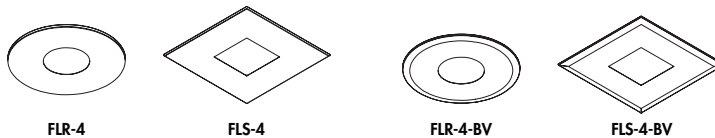
Warranty All No. 8 Lighting products are warranted for 5 years.

For installations in direct contact with thermal insulation, ambient temperatures in ceiling space should not exceed 25°C (77°F) during normal operation. For installations where insulation is held back a minimum of 3" from sides and top, ambient temperatures in ceiling space should not exceed 40°C (104°F) during normal operation.

404 + FRM-4/FRM-4-CP NEW CONSTRUCTION MOUNTING FRAMES with FLS-4/FLR-4 FLANGED TRIMS

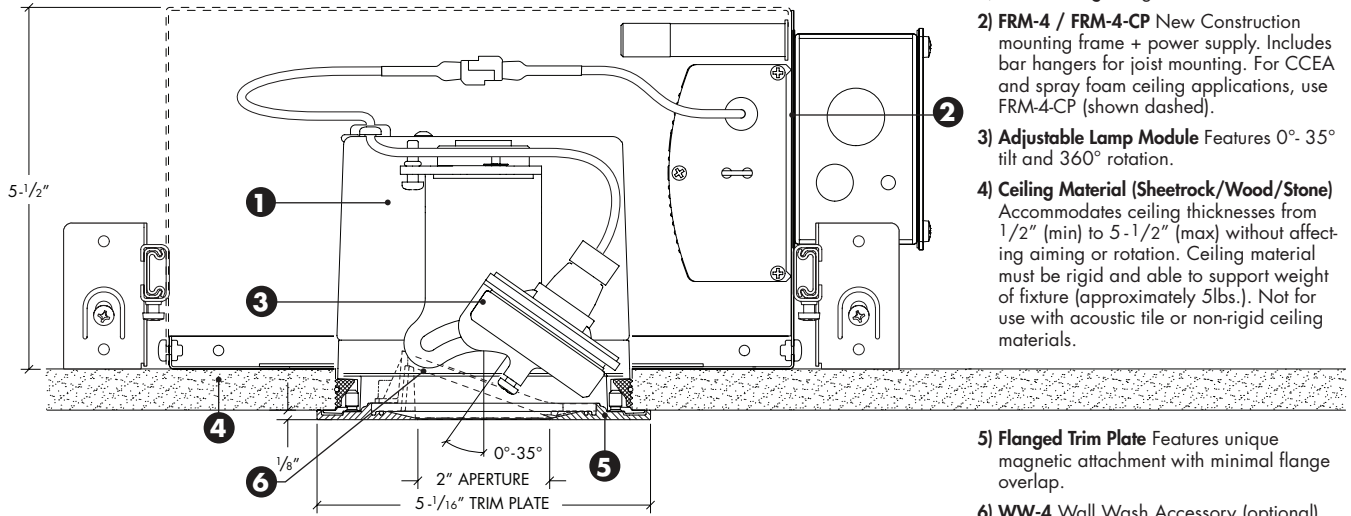


TRIM PLATE OPTIONS:



Clear polycarbonate dust and overspray shield included with every fixture. Use to protect internal components and provide work light during construction.

CEILING TYPES: Sheetrock, Wood & Stone | **CEILING THICKNESS:** 1/2" Min to 5-1/2" Max | **CUT-OUT:** Ø 4-1/2"



- 1) **404 Housing** Airtight and IC rated.
- 2) **FRM-4 / FRM-4-CP** New Construction mounting frame + power supply. Includes bar hangers for joist mounting. For CCEA and spray foam ceiling applications, use FRM-4-CP (shown dashed).
- 3) **Adjustable Lamp Module** Features 0°- 35° tilt and 360° rotation.
- 4) **Ceiling Material (Sheetrock/Wood/Stone)** Accommodates ceiling thicknesses from 1/2" (min) to 5-1/2" (max) without affecting aiming or rotation. Ceiling material must be rigid and able to support weight of fixture (approximately 5lbs.). Not for use with acoustic tile or non-rigid ceiling materials.
- 5) **Flanged Trim Plate** Features unique magnetic attachment with minimal flange overlap.
- 6) **WW-4** Wall Wash Accessory (optional).