


**404 NEW CONSTRUCTION IC/AT RATED ADJUSTABLE | MR-16**  
**FLS-4/FLR-4 FLANGED TRIM 2" APERTURE**  
**FRM-4T/FRM-4T-CP MOUNTING FRAME for ACOUSTIC TILE**

Project Name	
Date	Type
Prepared By	
Comments	
Catalog # <b>404 - ET-120 - / - - -</b>	




**No. 8**  
**eight**  
LIGHTING

526 Portal Street  
Cotati, CA 94931  
USA  
P 707.794.0888  
F 707.795.4379  
www.8lighting.com

All No. 8 Lighting fixtures and components are UL/CSA listed. No. 8 Lighting trims and lamp modules are protected by one or more U.S. Patents. No. 8 Lighting reserves the right to change details of design, materials, and finish.

© 2019 No. 8 Lighting  
Doc # 91293-12.0



**PRODUCT FEATURES**

**Housing + Lamp Module**

- **404** Patented fixture assembly for NEW CONSTRUCTION applications. Two mounting frame options include junction box, power supply, and bar hangers. Accommodates a wide range of ceiling thicknesses without affecting aiming or adjustment.
- Airtight and IC rated for direct contact with standard or spray-foam\* thermal insulation with a max combined R-value of R42 (may also be installed in Non-IC applications). Meets Washington State Airtight Standard WAC 51-11-0502 and in accordance with ASTM E283 to reduce energy loss. CCEA\* plenum rated for City of Chicago environmental air spaces.
- Fully adjustable MR-16 lamp module features toolless adjustment mechanism optimized for true 0-35° vertical and 360° horizontal adjustment. Use for adjustable accent, wall wash\*\*, and general lighting applications.
- High quality porcelain socket (GX5.3 base) with 14" 18 AWG/250°C PTFE leads.
- 10 watt maximum Halogen or LED MR16 lamp (not included).
- Accepts up to two optical accessories.
- JA8-2016 CA Title 24 Compliant when used with JA8 Compliant LED MR-16 lamps.

\*For spray-foam or CCEA applications, specify **FRM-4T-CP** mounting frame.

\*\*For wall washing, use 36-40° beam spread MR-16 and **WW-4** wall wash accessory with trim.

**Transformer**

- **ET-120** Integral electronic transformer. 120v-60Hz input/11.7v output.
- Thermally protected to prevent overheating from mis-lamping.
- Transformer removable and accessible from below after installation.
- For dimmer compatibility testing with SORAA Vivid or Brilliant Series 7.5W LED MR-16 lamps, see: [8lighting.com/resources-downloads/](http://8lighting.com/resources-downloads/)

**Trim Options**

- **FLS-4** Flanged FLAT Square 2" Aperture.
- **FLR-4** Flanged FLAT Round 2" Aperture.
- **FLS-4-BV** Flanged BEVELED Square 2" Aperture.
- **FLR-4-BV** Flanged BEVELED Round 2" Aperture.

**Trim Finish**

- Available finishes include: **WH** - White (field paintable to match ceiling finish) and **OB** - Oil-Rubbed Bronze.

**Trim Accessories**

- **CL4** CLEAR lens factory installed in trim plate.
- **SF4** SOFT FOCUS lens factory installed in trim plate.
- **WW-4** WALL WASH accessory factory installed in trim plate.

Note: Trim accessories are UL WET LISTED (covered ceiling applications). Not for use in steam applications.

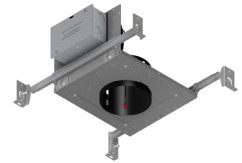
**Mounting Options**

- **FRM-4T** MOUNTING FRAME for installation in non-supportive (acoustic tile or fabric) ceiling applications with FLANGED trim. Includes power supply, junction box, and bar hangers for joist mounting.
- **FRM-4T-CP** MOUNTING FRAME for installation in non-supportive (acoustic tile or fabric) ceiling applications with FLANGED trim. CCEA approved for Chicago Plenum or spray-foam insulation applications. Includes power supply, junction box, and bar hangers for joist mounting.
- Optional **TBC** T-BAR MOUNTING CLIPS (Set of four) for use with **FRM-4T** or **FRM-4T-CP**.

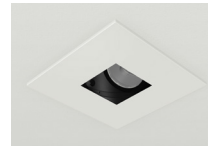
**JA8-2016 CA Title 24 Compliant** when used with JA8 compliant LED MR-16 lamp.



**404**  
HOUSING +  
LAMP MODULE



**FRM-4T**  
MOUNTING FRAME +  
POWER SUPPLY



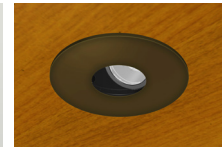
**FLS-4-WH**  
WHITE  
SQUARE FLAT TRIM



**FLS-4-OB**  
OIL-RUBBED BRONZE  
SQUARE FLAT TRIM



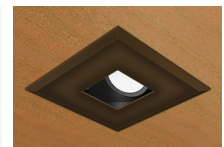
**FLR-4-WH**  
WHITE  
ROUND FLAT TRIM



**FLR-4-OB**  
OIL-RUBBED BRONZE  
ROUND FLAT TRIM



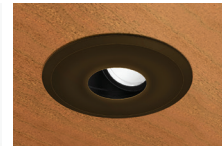
**FLS-4-BV-WH**  
WHITE  
SQUARE BEVELED TRIM



**FLS-4-BV-OB**  
OIL-RUBBED BRONZE  
SQUARE BEVELED TRIM



**FLR-4-BV-WH**  
WHITE  
ROUND BEVELED TRIM



**FLR-4-BV-OB**  
OIL-RUBBED BRONZE  
ROUND BEVELED TRIM

PRODUCT SPECIFIER/PRODUCT ORDER NUMBER

**404** - **ET-120** - /

HOUSING + LAMP MODULE	TRANSFORMER	OPTICAL ACCESSORIES / (Optional)	TRIM OPTIONS	TRIM FINISH	TRIM ACCESSORIES (Optional)	MOUNTING OPTIONS
<b>404</b> Housing + Lamp Module for NEW CONSTRUCTION applications AIRTIGHT and IC rated Adjustable MR-16 (10W Max) with 0-35° tilt and 360° rotation	<b>ET-120</b> Integral electronic transformer	<b>SF</b> SOFT FOCUS Lens <b>LS</b> LINEAR SPREAD Lens <b>LSF</b> FROSTED LINEAR SPREAD Lens	<b>FLS-4</b> Flanged FLAT Square 2" Aperture <b>FLR-4</b> Flanged FLAT Round 2" Aperture <b>FLS-4-BV</b> Flanged BEVELED Square 2" Aperture <b>FLR-4-BV</b> Flanged BEVELED Round 2" Aperture	<b>WH</b> White <b>OB</b> Oil-Rubbed Bronze	<b>CL4</b> CLEAR lens <b>SF4</b> SOFT FOCUS lens <b>WW-4</b> WALL WASH accessory Lensed trims and WW-4 accessory are rated for use in DRY, DAMP, or WET locations (covered ceiling applications only)	<b>FRM-4T</b> MOUNTING FRAME for FLANGED trims in non-supportive ceilings <b>FRM-4T-CP</b> MOUNTING FRAME for FLANGED trims in non-supportive ceilings. Approved for CCEA and spray-foam insulation applications <b>TBC</b> T-BAR MOUNTING CLIPS (set of four) for use with FRM-4T or FRM-4T-CP for T-Bar mounting

Up to two optical accessories can be accommodated.

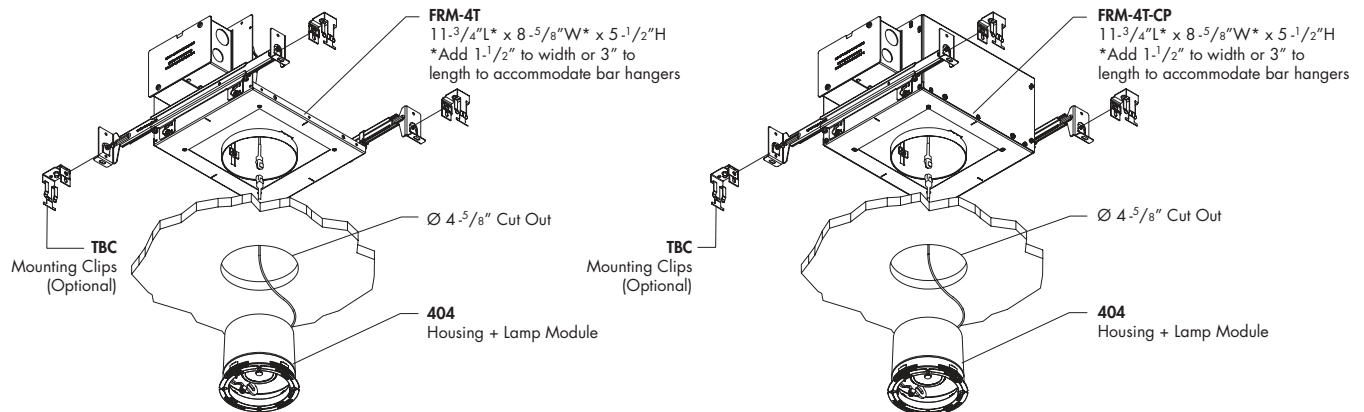
Bar hangers (for joist mounting) are included standard. Optional mounting accessories shipped separately.

Trim accessories are factory installed into trim plates and are UL WET LISTED (for covered ceiling applications). Wet listed trims are not for use in steam applications.

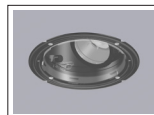
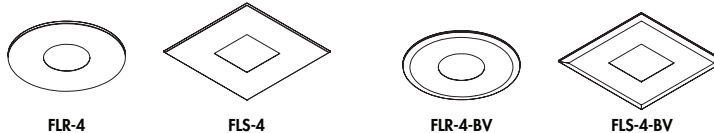
**Warranty** All No. 8 Lighting products are warranted for 5 years.

For installations in direct contact with thermal insulation, ambient temperatures in ceiling space should not exceed 25°C (77°F) during normal operation. For installations where insulation is held back a minimum of 3" from sides and top, ambient temperatures in ceiling space should not exceed 40°C (104°F) during normal operation.

**404 + FRM-4T/FRM-4T-CP NEW CONSTRUCTION MOUNTING FRAMES with FLS-4 /FLR-4 FLANGED TRIMS**

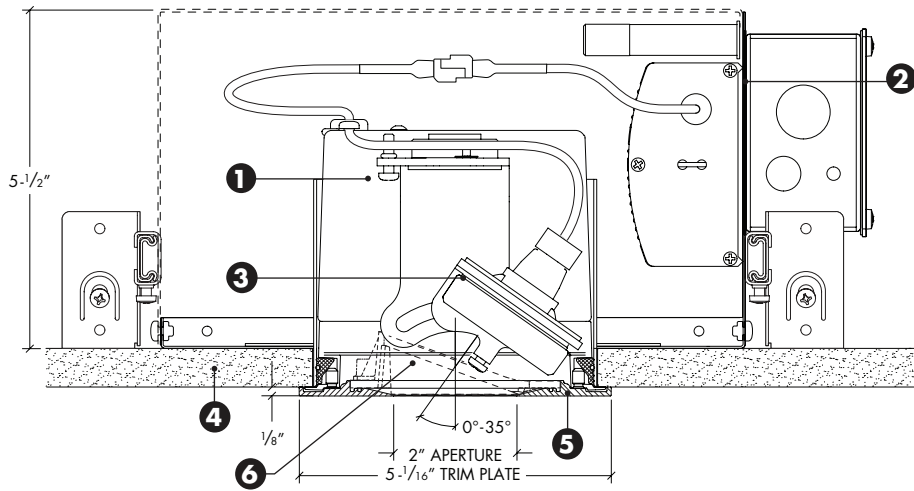


TRIM PLATE OPTIONS:



Clear polycarbonate dust and overspray shield included with every fixture. Use to protect internal components and provide work light during construction.

**CEILING TYPES:** Acoustic Tile/Non Supportive | **CEILING THICKNESS:** 1/2" Min to 5-1/2" Max | **CUT-OUT:** Ø 4-5/8"



- 1) **404 Housing** Airtight and IC rated.
- 2) **FRM-4T / FRM-4T-CP** New Construction mounting frame and power supply. For CCEA and spray foam ceiling applications, use FRM-4T-CP (shown dashed). Includes bar hangers for joist mounting. For T-Grid mounting use TBC T-Bar mounting clips.
- 3) **Adjustable Lamp Module** Features 0°- 35° tilt and 360° rotation.
- 4) **Ceiling Material (Acoustic Tile/Non-Supportive).**
- 5) **Flanged Trim Plate** Features unique magnetic attachment with minimal flange overlap.
- 6) **WW-4 Wall Wash** Accessory (optional).