

Lamp Module A-Relamping & Adjustment

IMPORTANT SAFETY INSTRUCTIONS PERTAINING TO A RISK OF FIRE OR INJURY TO PERSONS ⚠️ **SAVE THESE INSTRUCTIONS**

Warning-To Reduce the risk of FIRE OR INJURY:

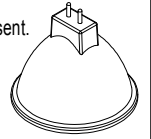
Lighted lamp is HOT! Turn off power and allow lamp to cool before replacing lamp. Lamp gets HOT quickly! Do not touch hot lens or enclosure. Keep lamp away from materials that may burn. Do not touch the lamp at any time. Use a soft cloth to remove lamp. Oil from skin may damage lamp. Do not operate the luminaire with a missing or damaged lens. Do not exceed maximum lamp wattage specified on luminaire.

Installing or Changing Lamp

Step 1 Remove Lamp & Lens Ring Subassy from Snoot by rotating Lamp Ring counter clockwise. Remove & discard any protective shipping packaging from Lamp Socket if present.

Step 2 Pull Lamp Socket through Snoot then push socket onto lamp terminals - FIG 1.1.

Step 3 Secure Lens (up to 3) using Lens Holder Ring - FIG 1.1 & 1.2.



MR16 Lamp

Adjustment

Step 1 Loosen Lock Knob/Lock shaft to adjust Lamp Module. Change rotation & lamp aiming angle then lock into position desired - FIG 1.3 & 1.4.

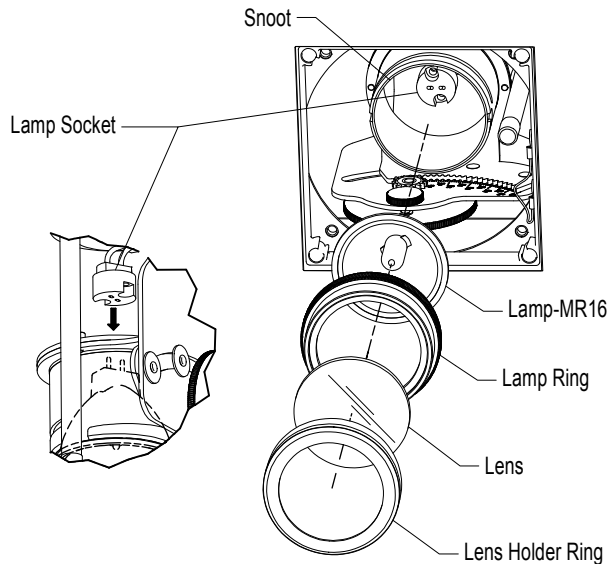


FIG 1.1 Replacing lamp

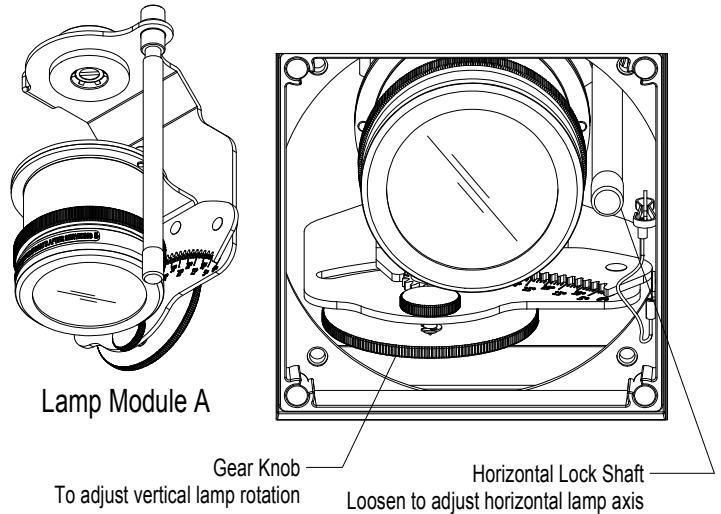


FIG 1.3 Lamp at 0° vertical axis position

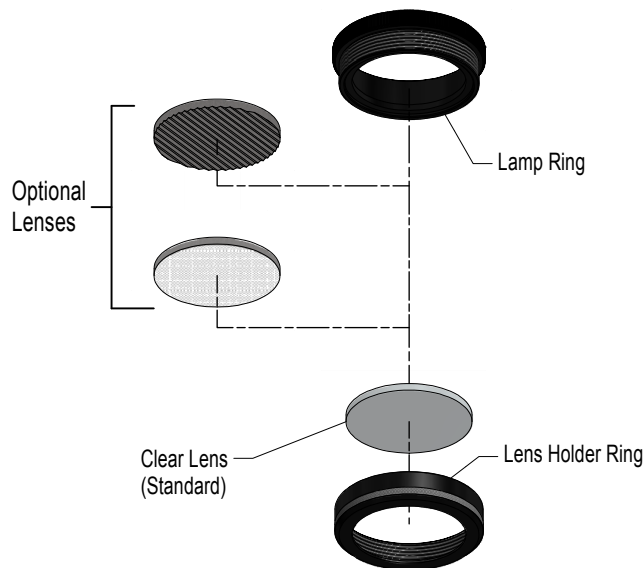
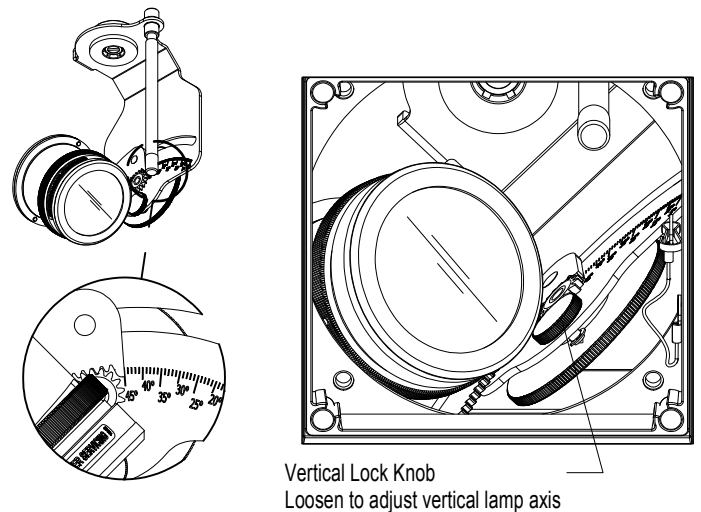


FIG 1.2 Lens Assembly



Note: Secure vertical & horizontal lamp position using Lock Knob & Lock Shaft.

FIG 1.4 Lamp at 45° vertical axis position

IMPORTANT SAFETY INSTRUCTIONS PERTAINING TO A RISK OF FIRE OR INJURY TO PERSONS

Warning-To Reduce the risk of FIRE OR INJURY:

Lighted lamp is HOT! Turn off power and allow lamp to cool before replacing lamp or adjusting.

Lamp gets HOT quickly! Do not touch hot lens or enclosure. Keep lamp away from materials that may burn.

Do not touch the lamp at any time. Use a soft cloth to remove lamp. Oil from skin may damage lamp.

Do not operate the luminaire with a missing or damaged lens.

Do not exceed maximum lamp wattage specified on luminaire.

Removal

Step 1 Remove Trim Plate & detach from cable clip - Fig 2.1.

Step 2 Adjust vertical axis to 0° (lamp aiming perpendicular to mounting surface) - Fig 2.2

Step 3 Remove Lamp Ring/Lens Holder subassembly - Fig 2.3.

Step 4 Disconnect Lamp socket and remove Lamp - Fig 2.4.

Step 5 Use flat blade screw driver & loosen Bolt while holding Lamp Module from turning - Fig 2.5.

Step 6 Orient Lamp Module so it can be pulled through ceiling aperture - Fig 2.6.

Replacement: Re-install by replacing all parts in steps above in reverse order.

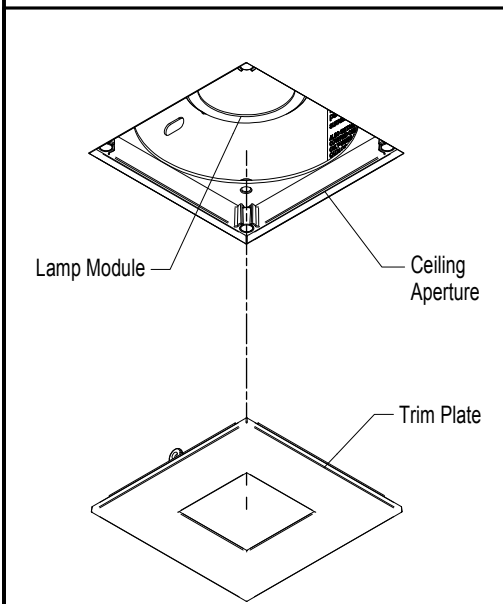


FIG. 2.1 Remove Trim Plate

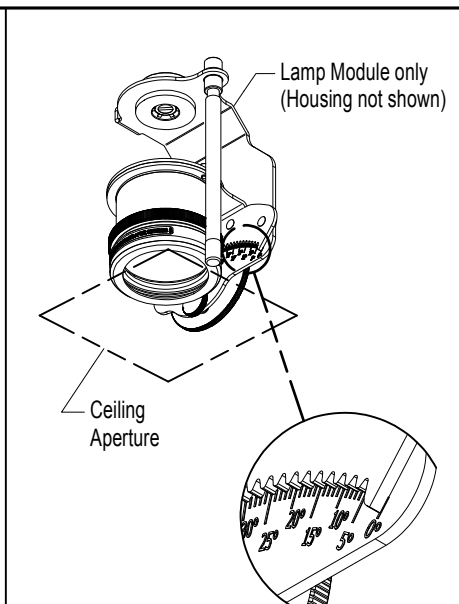


FIG. 2.2 Adjust Lamp Module to 0°

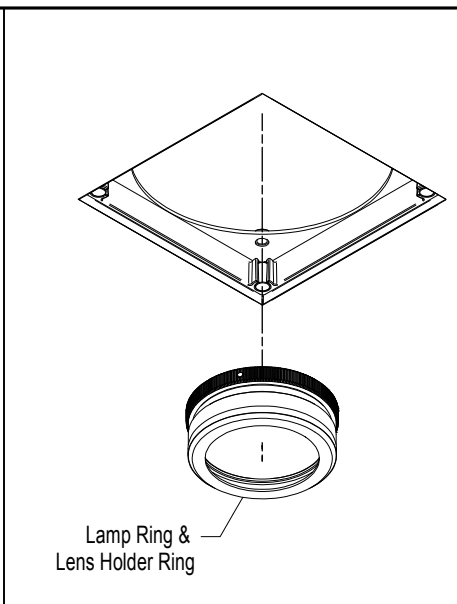


FIG. 2.3 Remove Lens & Lamp Rings

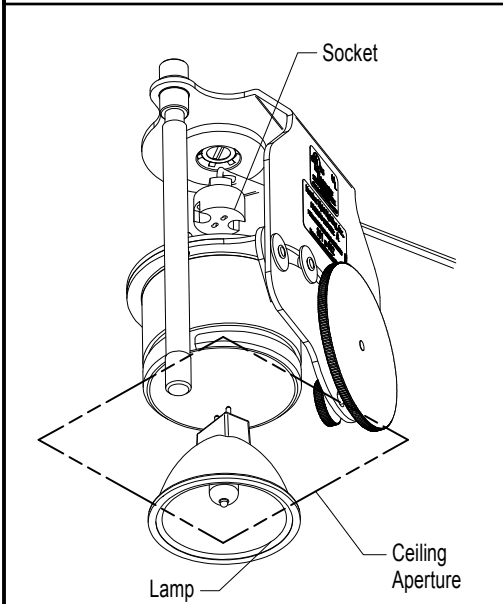


FIG. 2.4 Disconnect Socket

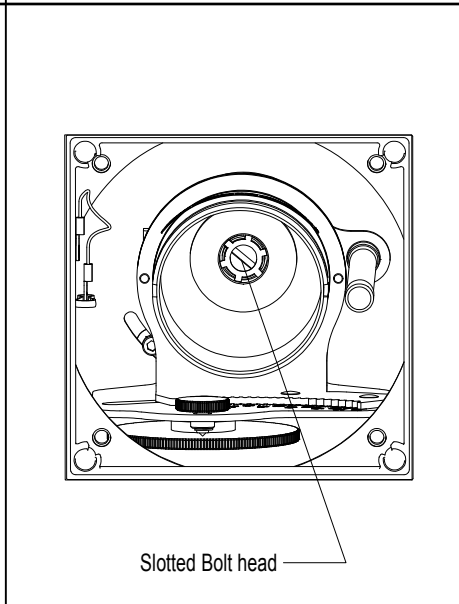


FIG. 2.5 Loosen Bolt

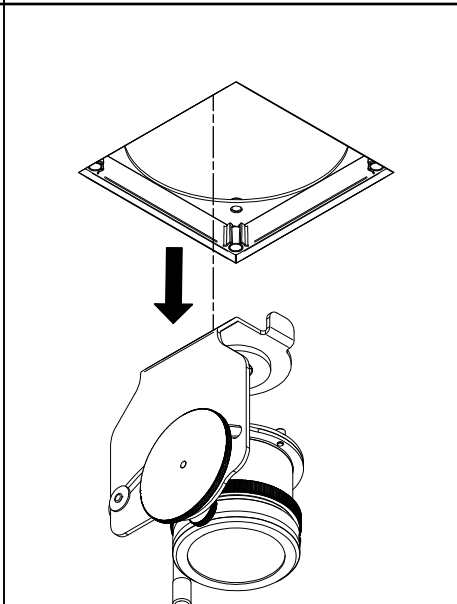


FIG. 2.6 Remove Lamp Module

IMPORTANT SAFETY INSTRUCTIONS PERTAINING TO A RISK OF FIRE OR INJURY TO PERSONS

Warning-To Reduce the risk of FIRE OR INJURY:

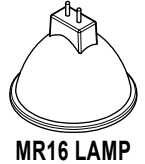
Lighted lamp is HOT! Turn off power and allow lamp to cool before replacing lamp or adjusting.

Lamp gets HOT quickly! Do not touch hot lens or enclosure. Keep lamp away from materials that may burn.

Do not touch the lamp at any time. Use a soft cloth to remove lamp. Oil from skin may damage lamp.

Do not operate the luminaire with a missing or damaged lens.

Do not exceed maximum lamp wattage specified on luminaire.



Install or Replace Lamp

STEP 1 Remove Lamp Module from Trim & install or replace Lamp & Lens into Clip. Then push Lampholder into Lamp pins - Fig 3.2.

STEP 2 B Lamp Module: Adjust reflector horizontal & vertical aiming angle as needed & secure with Lock Knob into position desired - Fig 3.1.

H Lamp Module: Install in Trim oriented so light washes desired wall - Fig 3.2.

STEP 3 Secure Safety Cable to Cable Clip. Line up steel Discs in Trim Plate with Magnets in Trim then install Lamp Module into Trim in position desired - Fig 3.1 & 3.2.

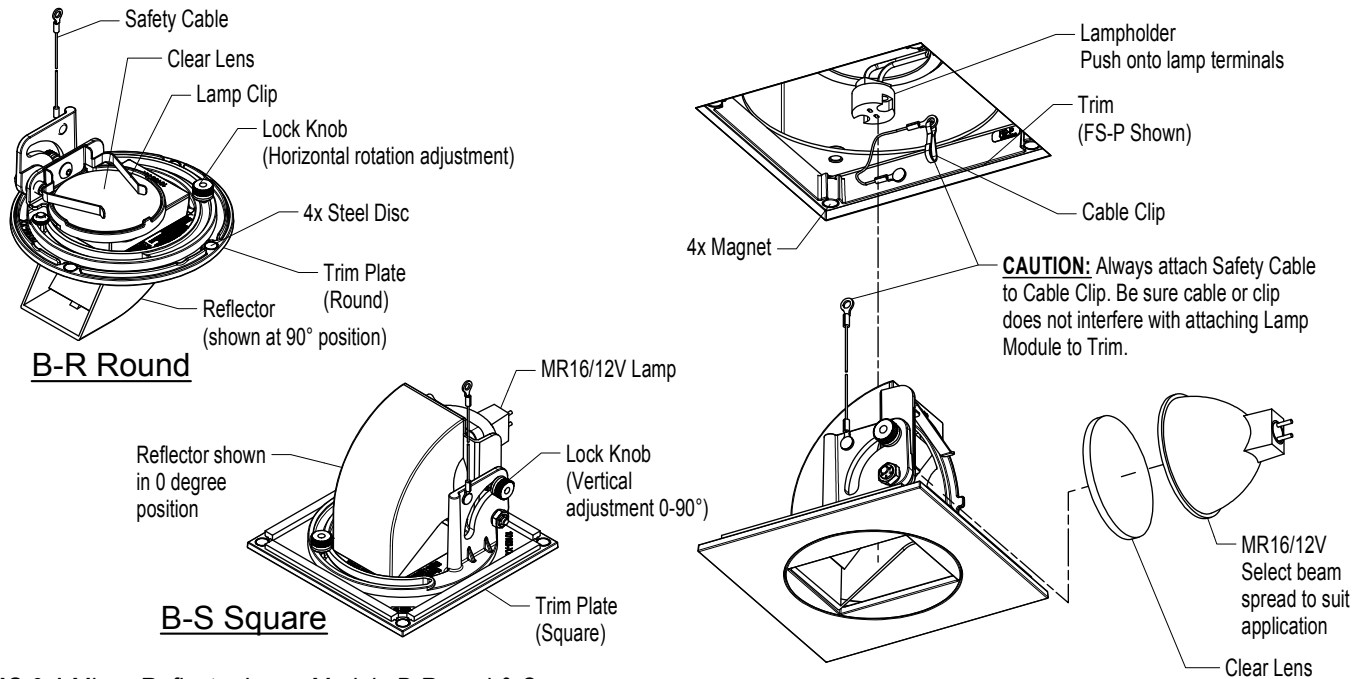


FIG 3.1 Mirror Reflector Lamp Module B-Round & Square

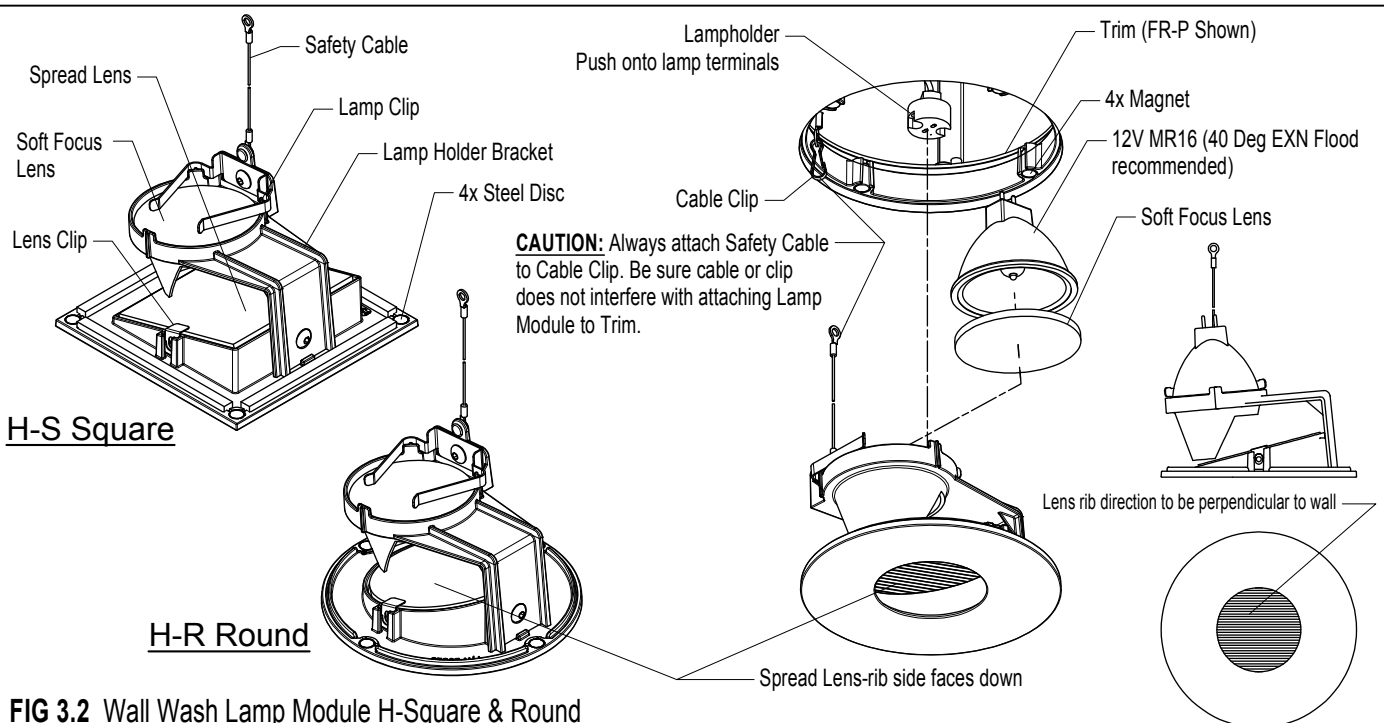


FIG 3.2 Wall Wash Lamp Module H-Square & Round

CAUTION: 

- ▶ Disconnect power at circuit breaker panel before proceeding.
- ▶ Always allow lamp to cool before removing.

Remove (for all Trim Kit Models)

- Step 1** Remove Lamp Module from Housing (refer to specific lamp Module page).
- Step 2** Reach inside far end of Housing & remove Thumb Knob - Fig 4.1.
- Step 3** Disengage Power Supply Module from back of housing (refer to illustrations below). Supply wires will now be exposed - Fig 4.2.
- Step 4** Make note of wire color connections and disconnect Transformer supply wires from field supply wires in junction box.
- Step 5** Pull Power Supply Subassembly through aperture - Fig 4.3.

Replace Re-install using steps above in reverse order. Reconnect supply wiring according to previous color connections or refer to diagram on Wiring Instructions 10170 sheet. Push all connections inside junction box.

