

# TRIM: INR-LG-P - INSET SERIES™

4" TRIM, 2 3/4" APERTURE FOR PLASTER/SHEETROCK CEILING APPLICATIONS

Project Name	
Date	Type
Prepared By	
Comments	
Catalog #	<b>INR - LG - P - 1 - /</b>




**N<sup>o</sup>**  
**eight**  
LIGHTING

526 Portal Street  
Cotati, CA 94931  
USA  
P 707.794.0888  
F 707.795.4379  
www.8lighting.com

All No. 8 Lighting fixtures and components are UL/CSA listed. U.S. Patents Pending on the Seamless™ and Inset™ Series trims as well as the type A Lamp Module. No. 8 Lighting reserves the right to change details of design, materials, and finish.

© 2015 No. 8 Lighting  
Doc # 91332-11.1



## PRODUCT FEATURES



**WH**  
WHITE - FIELD PAINTABLE TO MATCH CEILING FINISH

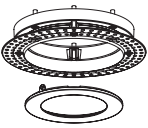


### Trim Assembly

- **INR-LG-P** trim recesses 1/2" above ceiling surface. Designed for sheetrock ceilings with painted or integral color drywall compound/plaster finishes.
- Optimized for use with type **A**, **J2-HI**, and **K2-HI** lamp modules. Not recommended for use with **B**, **L2-HI**, or **M2-HI** lamp modules.
- Field adjustable to accommodate ceiling thickness between 1/2" - 1 1/4".
- Die-cast from Zinc alloy for maximum strength, stability, and corrosion resistance.
- Minimal 2 3/4" aperture.
- Unique magnetic trim plate is removable without marring finishes.
- Overlapping and self-leveling plaster ring sandwiches against sheetrock for a strong and fail-proof installation.
- Works with all Number Eight 800 Series housings.
- Includes Solite soft focus lens standard. Available with other lens options or without lens. **All lensed trim plates are rated for use in dry, damp, or wet locations (covered ceiling applications only).**
- Available in many designer finishes including: White, Polished Nickel\*\*, Satin Nickel\*\*, Oil-Rubbed Bronze\*\*, and Black\*\*.

**\*\*Lot variations in specialty finishes may occur. Ordering ALL trim kits at the same time is recommended to minimize variations in finishes.**

## PRODUCT SPECIFIER/PRODUCT ORDER NUMBER

**INR-LG**  
Trim INSET 1/2" above finished ceiling  
4" ROUND flangeless w/ 2 3/4" round aperture  
**Solite soft focus lens installed standard**  
Note: One-piece die-cast assembly creates 1/2" inset above ceiling.

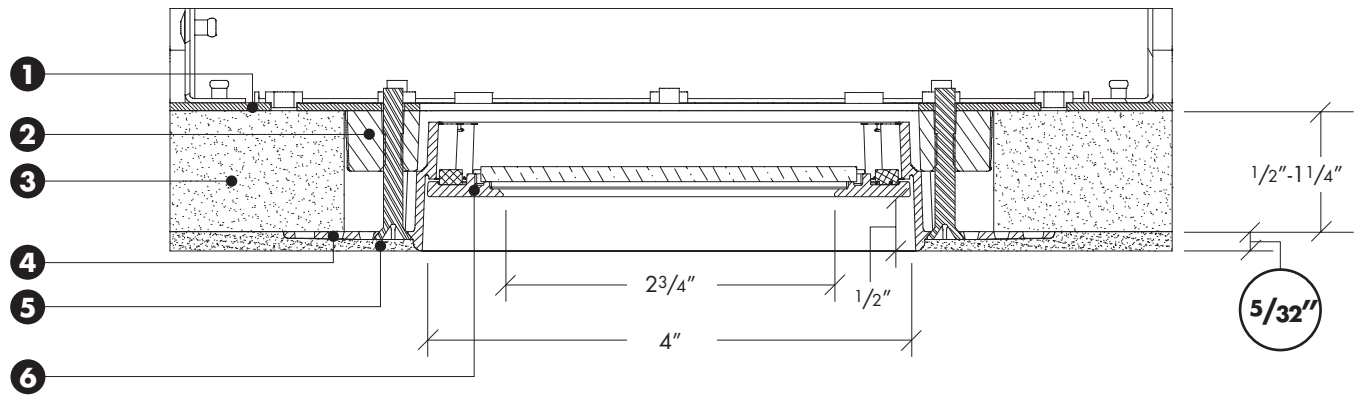
**P**  
PLASTER/SHEETROCK ceiling applications (1/2" minimum - 1 1/4" maximum sheetrock thickness).

**1**  
For 5/32" thick drywall compound or plaster finishes

**WH**  
WHITE - Field paintable to match ceiling finish  
**PN**  
POLISHED NICKEL\*  
**SN**  
SATIN NICKEL\*  
**OB**  
OIL-RUBBED BRONZE\*  
**BK**  
BLACK\*  
\*Specialty finish. Additional lead time required.

**NL**  
NO LENS installed in trim plate  
**CL**  
CLEAR LENS installed in trim plate\*  
**WW**  
WALL WASH lens installed in trim plate\*  
\*Lensed trim plate rated for use in DRY, DAMP, or WET locations (covered ceiling applications only).

TYPE P1 – TRIM ASSEMBLY CROSS SECTION DETAIL – FOR 5/32" CEILING FINISH



- 1) Housing
- 2) Frame – May be installed before or after sheetrock.
- 3) Sheetrock – Accommodates all thicknesses from 1/2" to 1 1/4".
- 4) Inset Mud Ring (type P1 for 5/32" ceiling finish) – Sandwiches against ceiling material.
- 5) Ceiling Finish (drywall compound or plaster) 5/32" maximum.
- 6) Trim Plate – Features unique magnetic attachments. Mounts 1/2" above finished ceiling. Includes Solite soft focus lens standard.

**Note:** Cross sections are for illustration purposes only. Refer to P-Series trim installation instructions for complete installation details.