

TRIM: INS-LG-P - INSET SERIES™

4" TRIM, 2 3/4" APERTURE FOR PLASTER/SHEETROCK CEILING APPLICATIONS

| | |
|--------------|-----------------------------|
| Project Name | |
| Date | Type |
| Prepared By | |
| Comments | |
| Catalog # | INS - LG - P - 1 - / |



No. 8
eight
LIGHTING

526 Portal Street
Cotati, CA 94931
USA
P 707.794.0888
F 707.795.4379
www.8lighting.com

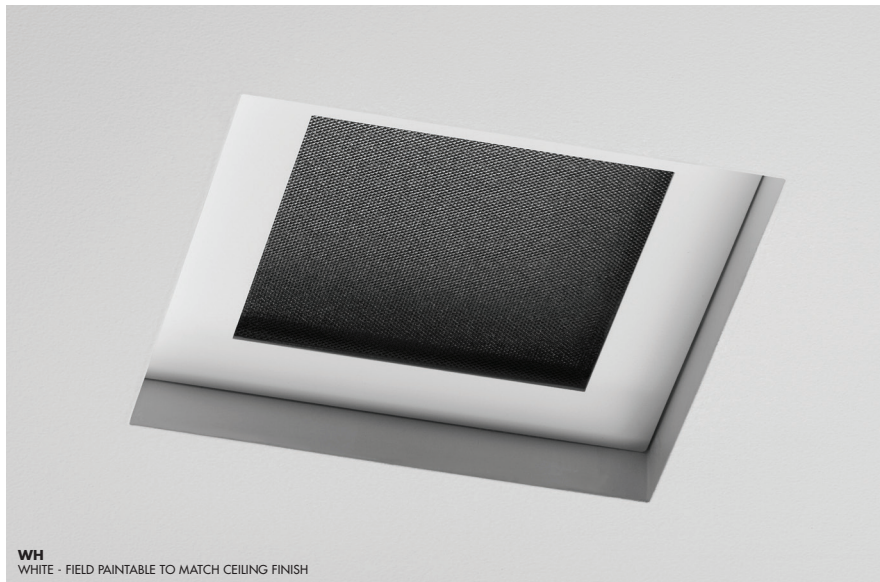
All No. 8 Lighting fixtures and components are UL/CSA listed. U.S. Patents Pending on the Seamless™ and Inset™ Series trims as well as the type A Lamp Module. No. 8 Lighting reserves the right to change details of design, materials, and finish.

© 2017 No. 8 Lighting
Doc # 91312-11.1

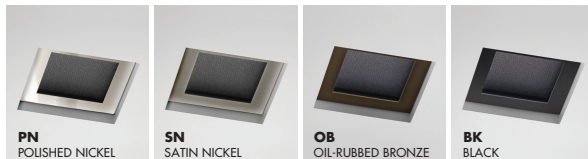


UL
LISTED

PRODUCT FEATURES



WH
WHITE - FIELD PAINTABLE TO MATCH CEILING FINISH

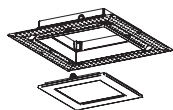


Trim Assembly

- **INS-LG-P** trim recesses trim plate 1/2" above ceiling surface. Designed for sheetrock ceilings with painted or integral color drywall compound/plaster finishes.
- Optimized for use with type **A**, **J2-HI**, and **K2-HI** lamp modules. Not recommended for use with **B**, **L2-HI**, or **M2-HI** lamp modules.
- Field adjustable to accommodate ceiling thickness between 1/2" - 1 1/4".
- Die-cast from Zinc alloy for maximum strength, stability, and corrosion resistance.
- Minimal 2 3/4" aperture.
- Unique magnetic trim plate is removable without marring finishes.
- Overlapping and self-leveling plaster ring sandwiches against sheetrock for a strong and fail-proof installation.
- Features field adjustable +/- 5° rotation for squaring trim to other fixtures or nearby walls.
- Can be installed before or after sheetrock installation.
- Works with all Number Eight 800 Series housings.
- Includes Solite soft focus lens standard. Available with other lens options or without lens. **All lensed trim plates are rated for use in dry, damp, or wet locations (covered ceiling applications only).**
- Available in many designer finishes including: White, Polished Nickel**, Satin Nickel**, Oil-Rubbed Bronze**, and Black**.

****Lot variations in specialty finishes may occur. Ordering ALL trim kits at the same time is recommended to minimize variations in finishes.**

PRODUCT SPECIFIER/PRODUCT ORDER NUMBER



INS-LG
Trim INSET 1/2" above finished ceiling
4" SQUARE flangeless w/ 2 3/4" square aperture
Solite soft focus lens installed standard
Note: One-piece die-cast assembly creates 1/2" inset above ceiling.

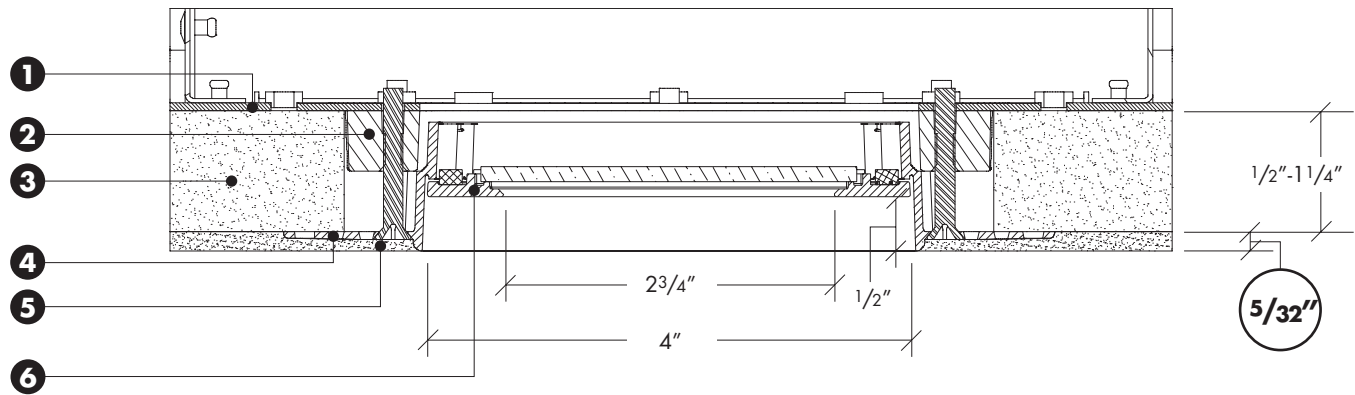
P
PLASTER/SHEETROCK ceiling applications (1/2" minimum - 1 1/4" maximum sheetrock thickness).

1
For 5/32" thick drywall compound or plaster finishes

WH
WHITE - Field paintable to match ceiling finish
PN
POLISHED NICKEL*
SN
SATIN NICKEL*
OB
OIL-RUBBED BRONZE*
BK
BLACK*
*Specialty finish. Additional lead time required.

NL
NO LENS installed in trim plate
CL
CLEAR LENS installed in trim plate*
WW
WALL WASH lens installed in trim plate*
*Lensed trim plate rated for use in DRY, DAMP, or WET locations (covered ceiling applications only).

TYPE P1 – TRIM ASSEMBLY CROSS SECTION DETAIL – FOR $5/32''$ CEILING FINISH



- 1) Housing**
- 2) Frame** – May be installed before or after sheetrock. Square frame can be rotated 45° for diagonal appearance.
- 3) Sheetrock** – Accommodates all thicknesses from $1/2''$ to $1 1/4''$.
- 4) Inset Mud Ring (type P1 for $5/32''$ ceiling finish)** – Sandwiches against ceiling material. Square inset mud ring may be rotated $\pm 5^\circ$ after sheetrock installation (prior to plastering).
- 5) Ceiling Finish (drywall compound or plaster)** $5/32''$ maximum.
- 6) Trim Plate** – Features unique magnetic attachments. Mounts $1/2''$ above finished ceiling. Includes Solite soft focus lens standard.

Note: Cross sections are for illustration purposes only. Refer to P-Series trim installation instructions for complete installation details.