

Recessed Housing Model Series 801, 802 & 803

Determining Housing Position For Trim

IMPORTANT: Housing must be in correct height position for Trim Kit model before installing Trim Kits.

STEP 1 Determine which Trim Kit model below is specified for use on housing-see below. Check Hanger Bracket position on Housing according to Table 1.1. Adjust Hanger Bracket position as needed FIG 1.1 & 1.2.

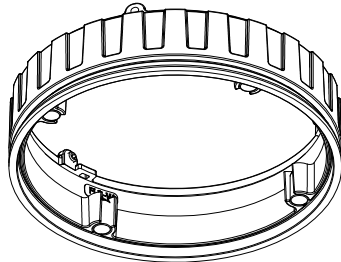
- ▶ For ceiling cutout details - see Page 2.
- ▶ For Trim assembly & adjustment details - see Page 3
- ▶ For Trim installation details - see Page 4

Table 1.1 Hanger Bar Bracket Position Chart

Trim Styles	For Ceiling Thickness Range	Position/#
	FR-W, FLR-W	1" to 1-1/2"
	1/2" to 1"	Upper (#2)

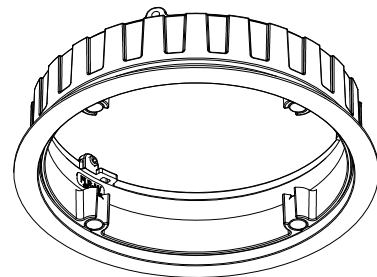
Trim Kit Models

Non-Flanged



FR-W

Flanged



FLR-W

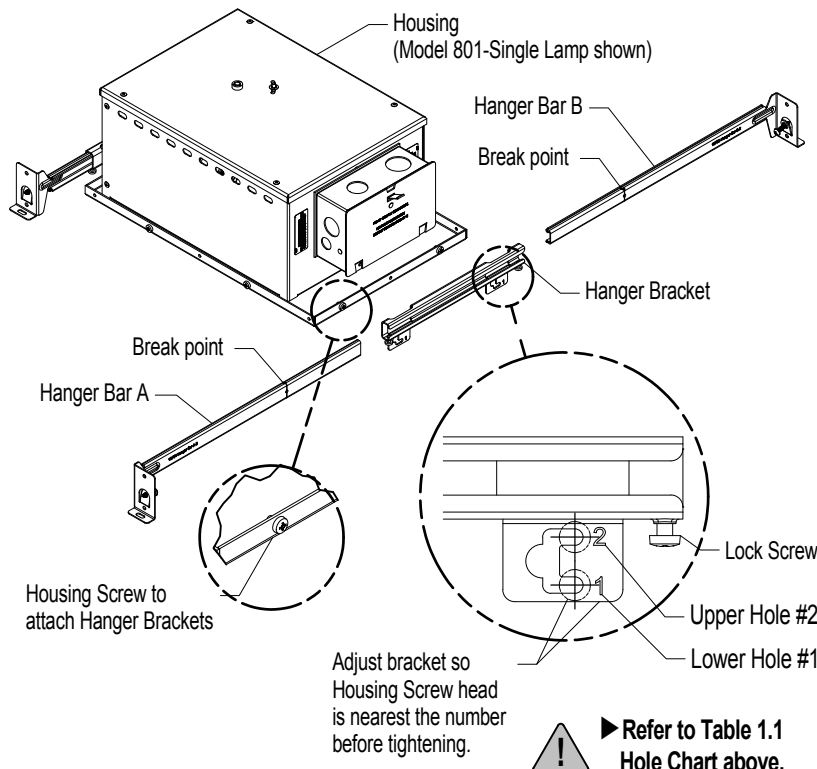


FIG 1.1 Installing Hanger Bar & Hanger Bracket Set

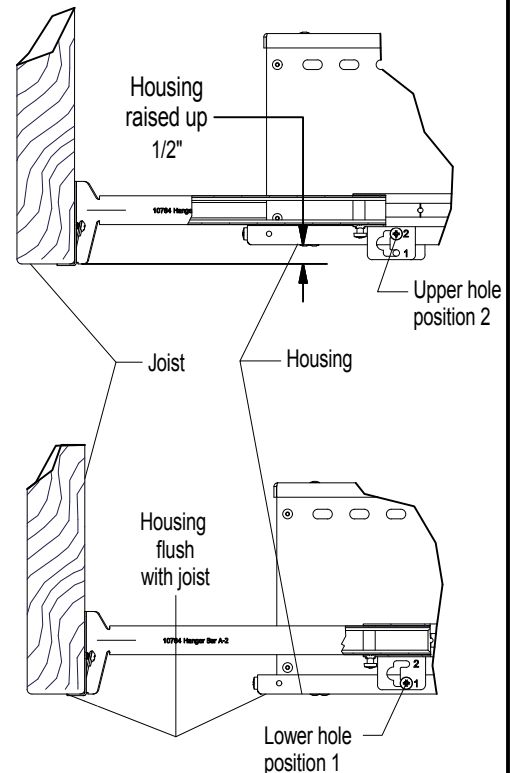
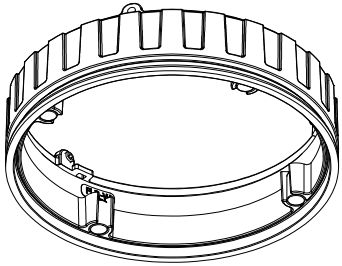


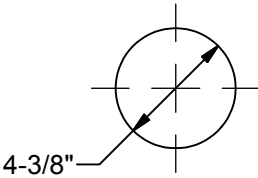
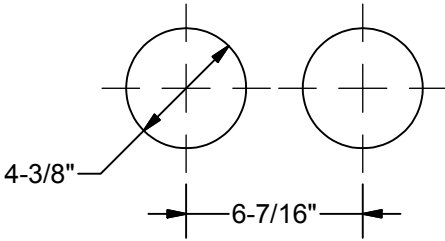
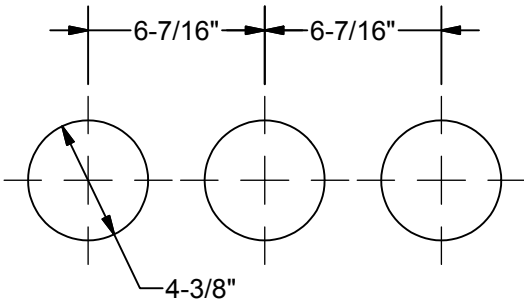
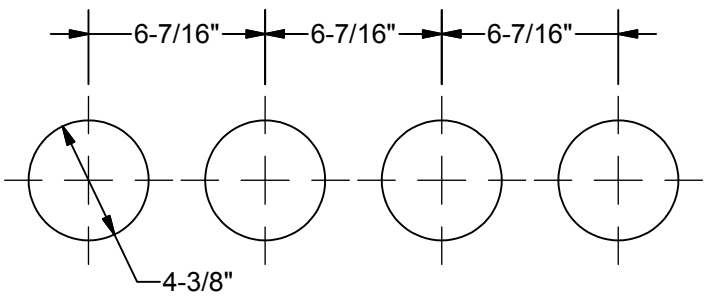
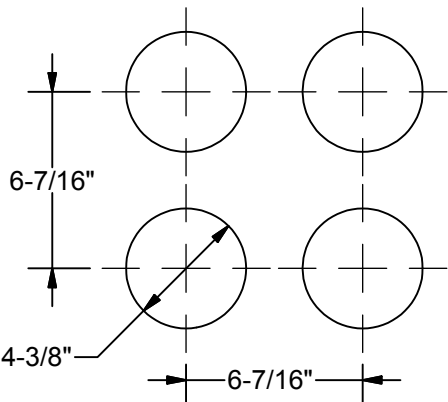
FIG 1.2 Hole Position & Housing Location

STEP 2 Accurately measure cutout location for housing aperture centers & mark centers in ceiling board. Cutout location accuracy is critical, always double check measurements before cutting. Cut openings in ceiling board as dimensioned below.

⚠ Important: Cutout location accuracy is critical, always double check measurements before cutting.

Round Trim Models

		NON-FLANGED	FLANGED
TRIM TYPE	FR-W		FLR-W
		<p>IMPORTANT-For Non-Flanged trims only: The cutout edges will be exposed after trim installation & must be sharp & clean.</p>	

1 LAMP		2 LAMP	
			
3 LAMP		4 LAMP	
4 LAMP-QUAD		<div style="border: 1px solid black; padding: 5px; width: fit-content; margin: auto;"> <p>All Round Cutout tolerances: FR-W $\pm 1/32$" FLR-W $+1/8"-1/32$" CTR to CTR $\pm 1/32$"</p> </div>	

STEP 3 To reduce possibility of light leak, apply round & rectangular Stickers over unused holes & slots around each housing aperture as shown (prior to installing ceiling) - FIG 3.1.

STEP 4 If required, paint Trim & Trim Plate (see note in FIG 3.3).

STEP 5 Insert Mounting Ring lip fully into Housing & fasten with 3x Set Screws using allen key supplied-**Do Not overtighten**. Mounting Ring can be installed with or without ceiling in place - FIG 3.2. **Note:** After Trim installation (FIG 3.3) the Mounting Ring may need to be rotated to align the Trim - FIG 3.5.

STEP 6 Thread Trim into Mounting Ring. For Non-Flanged (FR-W), adjust height to be level with ceiling. For Flanged (FLR-W) version, flange must seat flush to ceiling - FIG 3.3 & FIG 3.5.

STEP 7 Lock Trim height with Set Screw - FIG 3.4.

STEP 8 Attach Trim Plate Safety Cable to Mounting Ring - FIG 3.3.

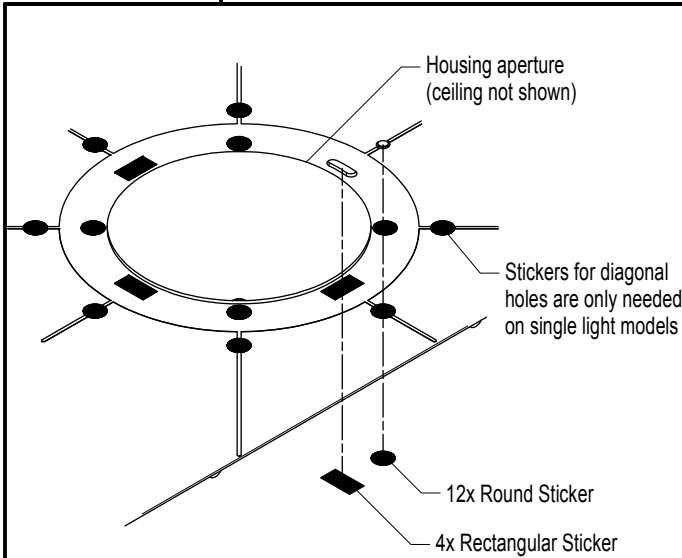


FIG 3.1 Install Housing Stickers

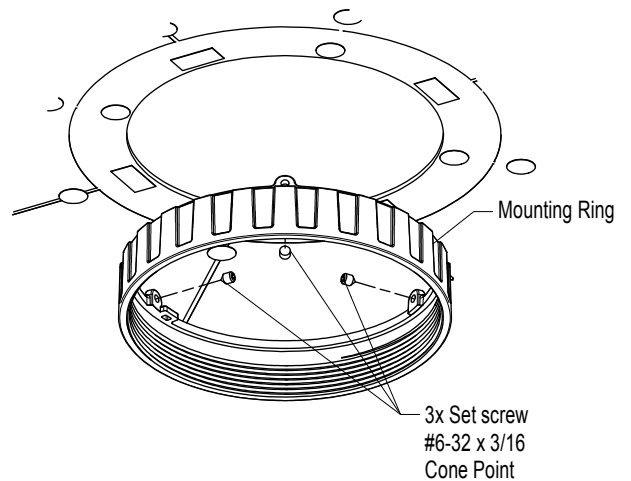


FIG 3.2 Install Mounting Ring

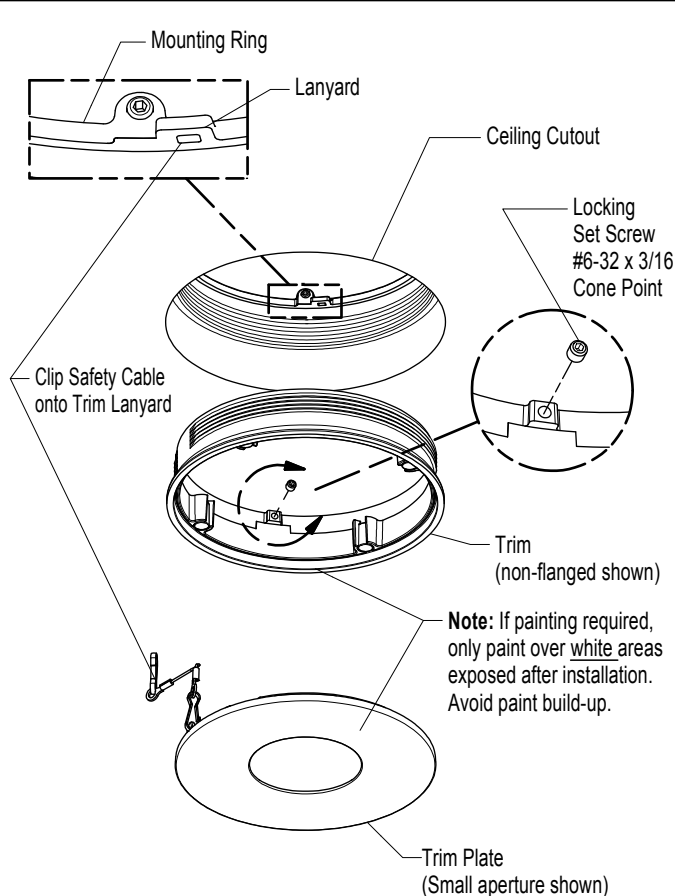


FIG 3.3 Install Trim & Trim Plate

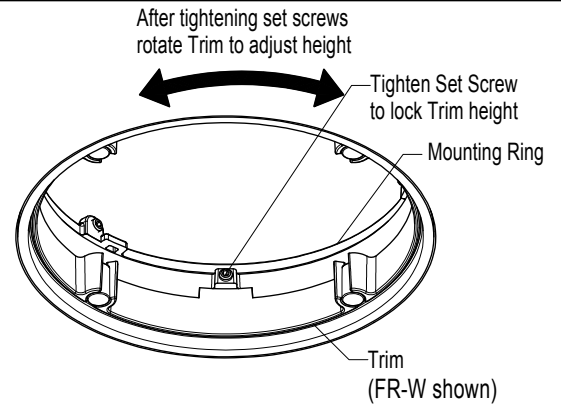


FIG 3.4 Adjust Trim Height

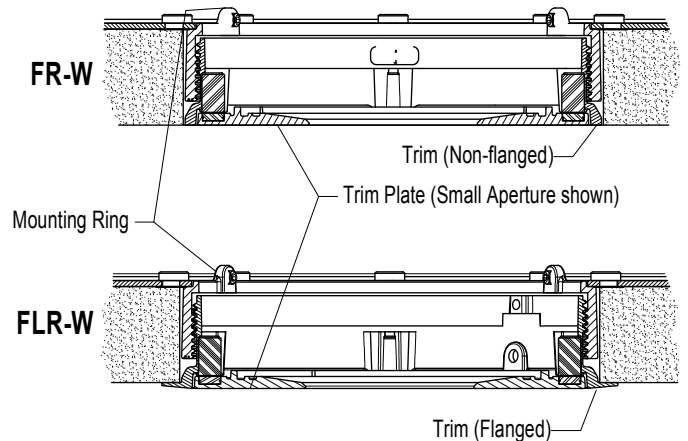


FIG 3.5 Ceiling Section Views

STEP 9 Trim Magnets should always be oriented in line with housing (or nearest wall). After locking Trim height, loosen 3x Mounting Ring Set Screws slightly & rotate Mounting Ring so Trim magnets are oriented inline with nearest wall or housing lines as shown in FIG 4.2.

Re-tighten 3x Mounting Ring Set Screws -**Do Not Overtighten**-FIG 4.1.

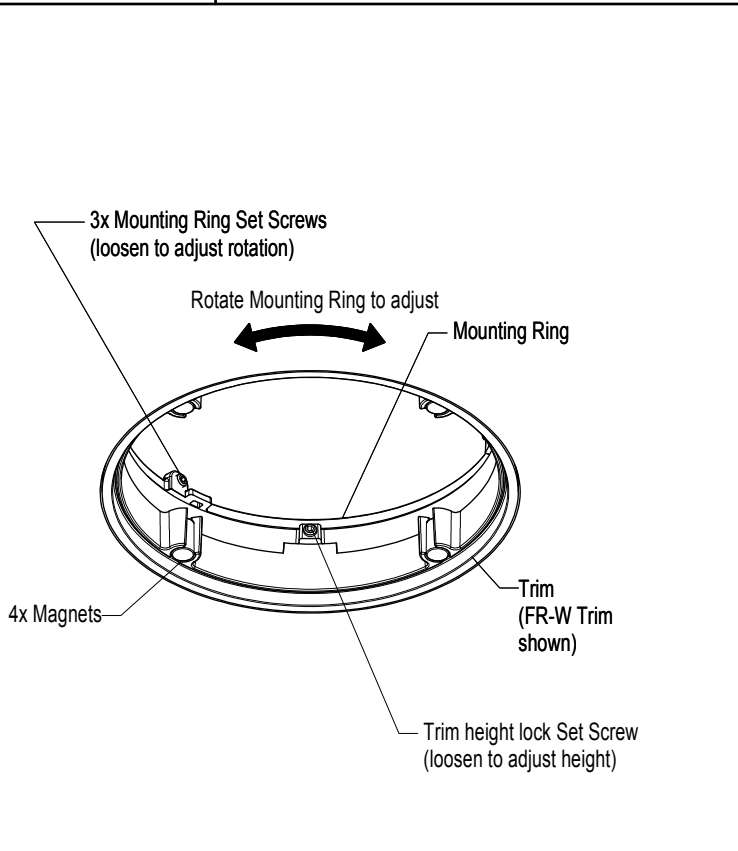


FIG 4.1 Adjust Trim Kit Orientation

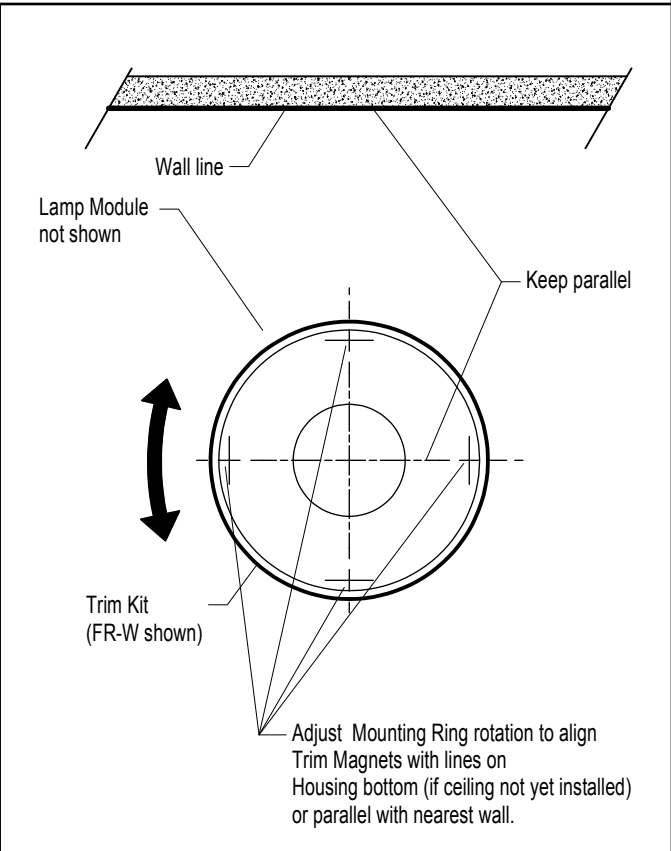


FIG 4.2 Trim Kit Alignment (Plan view shown)