



## LAMP MODULE M – LED MIRROR REFLECTOR

**Lamp Module M** incorporates the magnetic trim plate into the lamp module assembly, and is available with either a SQUARE trim plate (Seamless Series™ and Inset Series™), or ROUND trim plate (Seamless Series™ only).

**Lamp Module M** features 0-45 degree adjustable aiming angle and is designed to work in most slope ceiling environments for general, accent, and wall wash lighting applications. Trim kit assemblies are available for plaster, wood, stone or acoustic tile ceilings.

**Lamp Module M** is available in many designer finishes: White, Polished Nickel\*\*, Satin Nickel\*\*, Polished Brass\*\*, Satin Brass\*\*, Oil-Rubbed Bronze\*\*, and Black\*\*.



**WH** - WHITE (SQUARE) - Field paintable to match ceiling finish

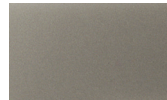


**WH** - WHITE (ROUND) - Field paintable to match ceiling finish

**\*\*Lot variations in specialty finishes may occur. Ordering ALL trim kits and matching M Modules at the same time is recommended to minimize variations in finishes.**



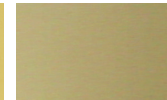
**PN**-POLISHED NICKEL



**SN**-SATIN NICKEL



**PB**-POLISHED BRASS



**SB**-SATIN BRASS

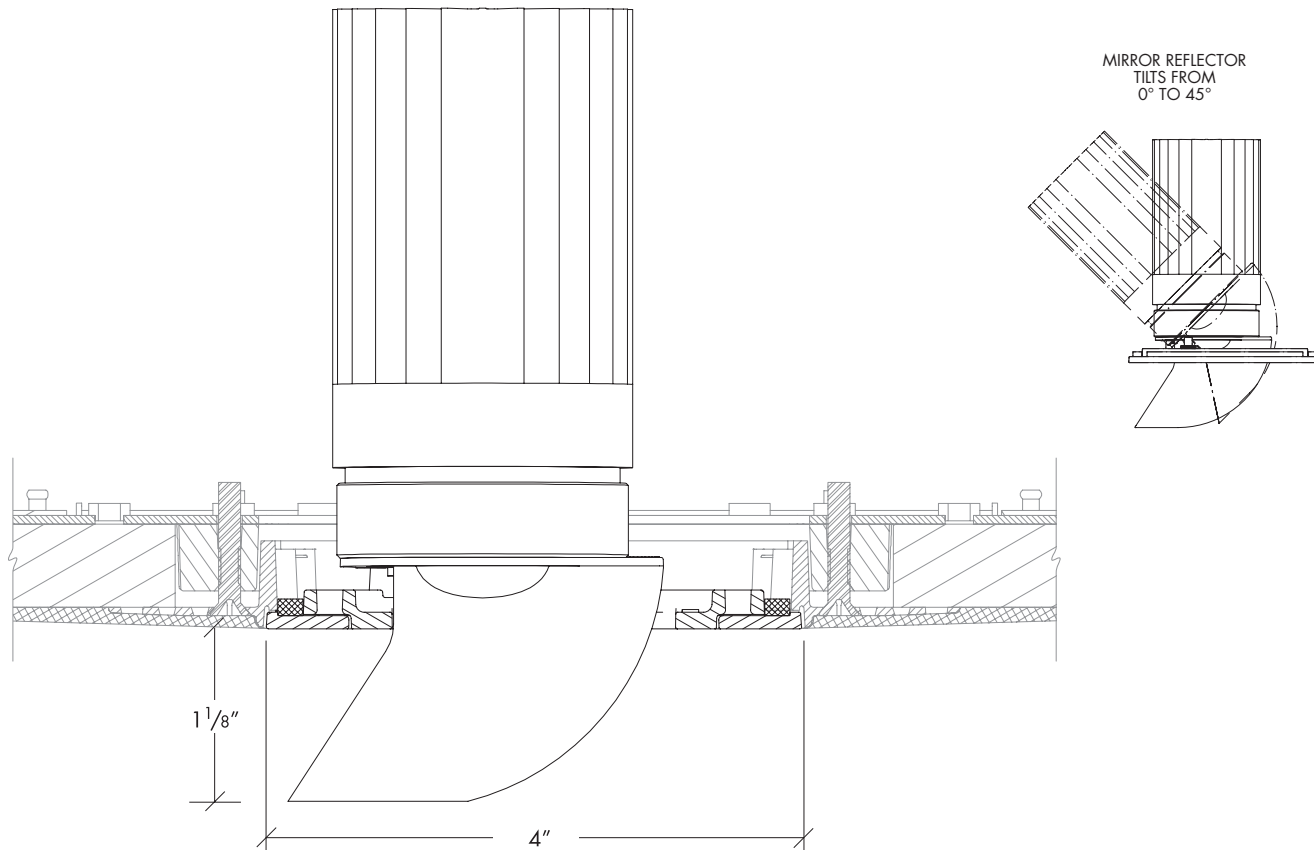


**OB**-OIL-RUBBED BRONZE



**BK**-BLACK

## LAMP MODULE M – TRIM ASSEMBLY CROSS SECTION DETAIL



**Note:** Cross sections are for illustration purposes only. Refer to housing installation instructions for complete installation details.

# HOUSING: **802-I.C.** LAMP MODULE: **M-MIRROR REFLECTOR** | LED

Project Name	
Date	Type
Prepared By	
Comments	
Catalog # <b>802 / M -</b>	



**N°**  
**eight**  
LIGHTING

418 Petaluma Avenue  
Sebastopol, CA 95472  
USA  
P 707.824.0888  
F 707.829.3204  
www.8lighting.com

All No. 8 Lighting fixtures and components are UL/CSA listed. U.S. Patents Pending on the Seamless™ and Inset™ Series trims as well as the type A Lamp Module. No. 8 Lighting reserves the right to change details of design, materials, and finish.  
© 2012 No. 8 Lighting  
Doc # 91126-04




## PRODUCT FEATURES

### Housing

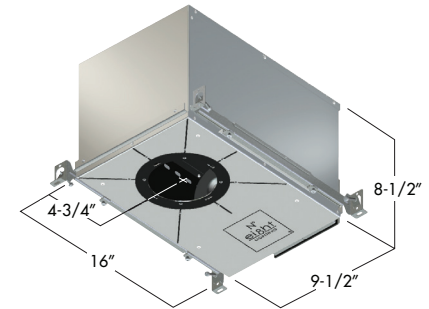
- Airtight IC. Rated for direct contact with thermal insulation. Meets Washington State Airtight Standard WAC 51-11-05-02 and is tested in accordance with ASTM E283 to reduce energy loss and sound transmission.
- Accepts all Number Eight Lighting Lamp Modules and Trim Assemblies.
- All aluminum construction for maximum heat dissipation and corrosion prevention.
- Features cross-hair graphics for precise alignment during rough-in installation.
- Extra large capacity junction box with (3) 1/2" knock-outs, (2) 3/4" knock-outs, and (1) 3/8" knockout. Junction box is UL listed for through wire branch circuiting and is accessible from below after installation.
- Extra rigid bar hangers with four lock down points and integrated self tapping fasteners which accommodate wood or metal joists w/ on center spacing of 12"-24". Bar hangers can be mounted to either sides or ends of housing depending on installation requirements.

### Lamp Module

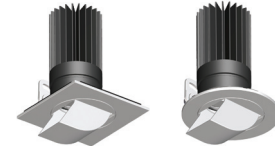
- State of the art LED featuring 3000K/1,050 lumen light engine.
- Delivers 900 lumens at 13.4 watts (including optical efficiency losses).
- Industry leading color consistency with guaranteed maximum variation of 1 x 3 SDCM.
- 50,000+ hour lamp life (measured at 70% lumen maintenance).
- Fully adjustable lamp module features unique gear-driven adjustment mechanism with optical quality components for tool-free adjustment.
- Adjustable lamp module optimized for true 0 - 45° vertical and 90° horizontal adjustment. Both vertical and horizontal adjustment include tool-free locking to ensure aiming/adjustment remains unaffected during servicing.
- Features a broad range of field interchangeable beam spread options: 15°, 20°, 30°, 40°, 60°, 12 x 80°, and 20 x 60°.
- CA Title 24 compliant.
- Light engine assembly is field replaceable from below ceiling.
- 3-year warranty.

### Driver/Power Supply Assembly

- Dimming driver standard. 120V/60HZ input.
- Features two-wire dimming control using standard electronic low voltage dimmers
- Dimmable to 5%
- 80% efficiency
- >0.90 power factor
- >50,000 hour life
- 3-year warranty



**802 - I.C. HOUSING**

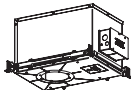
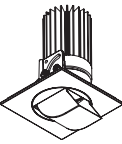



**M - LED MIRROR REFLECTOR**

Use on sloped ceilings for general, accent, and wall wash lighting applications requiring the lumen output and high color rendering of tungsten halogen along with greater luminaire efficiency, a 50,000+ hour lamp life, and dimming capability. Features 0-45 degree adjustable aiming angle and a broad range of field interchangeable beam spread options including: 15°, 20°, 30°, 40°, 60°, 12 x 80°, and 20 x 60°.

## PRODUCT SPECIFIER/PRODUCT ORDER NUMBER

**802** / **M -** / - / / /

HOUSING	LAMP MODULE TRIM PLATE	+	TRIM FINISH	/	OPTICAL ACCESSORIES*	/	ADDITIONAL OPTIONS*
 <p><b>802</b> New Construction - AIRTIGHT-I.C. 9 1/2"W x 16"L x 8 1/2"H Accepts All No.8 Lighting Lamp Modules. Rated for direct contact with insulation.</p>	<p>LED MIRROR REFLECTOR (900 lumens at 13.4 watts)</p>  <p><b>M-S</b> 4" SQUARE module w/ integral trim plate fits into square Seamless Series™ or Inset Series™ trim assemblies</p>  <p><b>M-R</b> 4" ROUND module w/ integral trim plate fits into round Seamless Series™ trim assemblies</p>		<p><b>WH</b> WHITE (Standard) - Field paintable to match ceiling finish</p> <p><b>PN</b> POLISHED NICKEL*</p> <p><b>SN</b> SATIN NICKEL*</p> <p><b>PB</b> POLISHED BRASS*</p> <p><b>SB</b> SATIN BRASS*</p> <p><b>OB</b> OIL-RUBBED BRONZE*</p> <p><b>BK</b> BLACK*</p> <p>*Specialty finish. Additional lead time required.</p>		<p><b>NSP</b> 15° narrow spot</p> <p><b>SP</b> 20° spot</p> <p><b>NFL</b> 30° narrow flood</p> <p><b>WFL</b> 60° wide flood</p> <p><b>LS</b> 12 x 60° linear spread</p> <p><b>LSW</b> 20 x 60° wide linear spread</p> <p><b>CF27</b> 2700K color filtering lens</p> <p><b>CF35</b> 3500K color filtering lens</p>		<p><b>TBC</b> T-BAR MOUNTING CLIPS (Set of four) included with housing.</p> <p><b>PMB</b> PANEL MOUNTING BRACKETS (Set of two) included with housing.</p>

\*40° optical lens and bar hangers (for joist mounting) are included standard. Optical accessories and additional options shipped separately.

## LAMP MODULE M – LED MIRROR REFLECTOR

**Lamp Module M** incorporates the magnetic trim plate into the lamp module assembly, and is available with either a SQUARE trim plate (Seamless Series™ and Inset Series™), or ROUND trim plate (Seamless Series™ only).

**Lamp Module M** features 0-45 degree adjustable aiming angle and is designed to work in most slope ceiling environments for general, accent, and wall wash lighting applications. Trim kit assemblies are available for plaster, wood, stone or acoustic tile ceilings.

**Lamp Module M** is available in many designer finishes: White, Polished Nickel\*\*, Satin Nickel\*\*, Polished Brass\*\*, Satin Brass\*\*, Oil-Rubbed Bronze\*\*, and Black\*\*.



**WH** - WHITE (SQUARE) - Field paintable to match ceiling finish

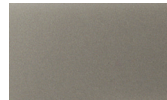


**WH** - WHITE (ROUND) - Field paintable to match ceiling finish

**\*\*Lot variations in specialty finishes may occur. Ordering ALL trim kits and matching M Modules at the same time is recommended to minimize variations in finishes.**



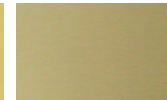
**PN**-POLISHED NICKEL



**SN**-SATIN NICKEL



**PB**-POLISHED BRASS



**SB**-SATIN BRASS

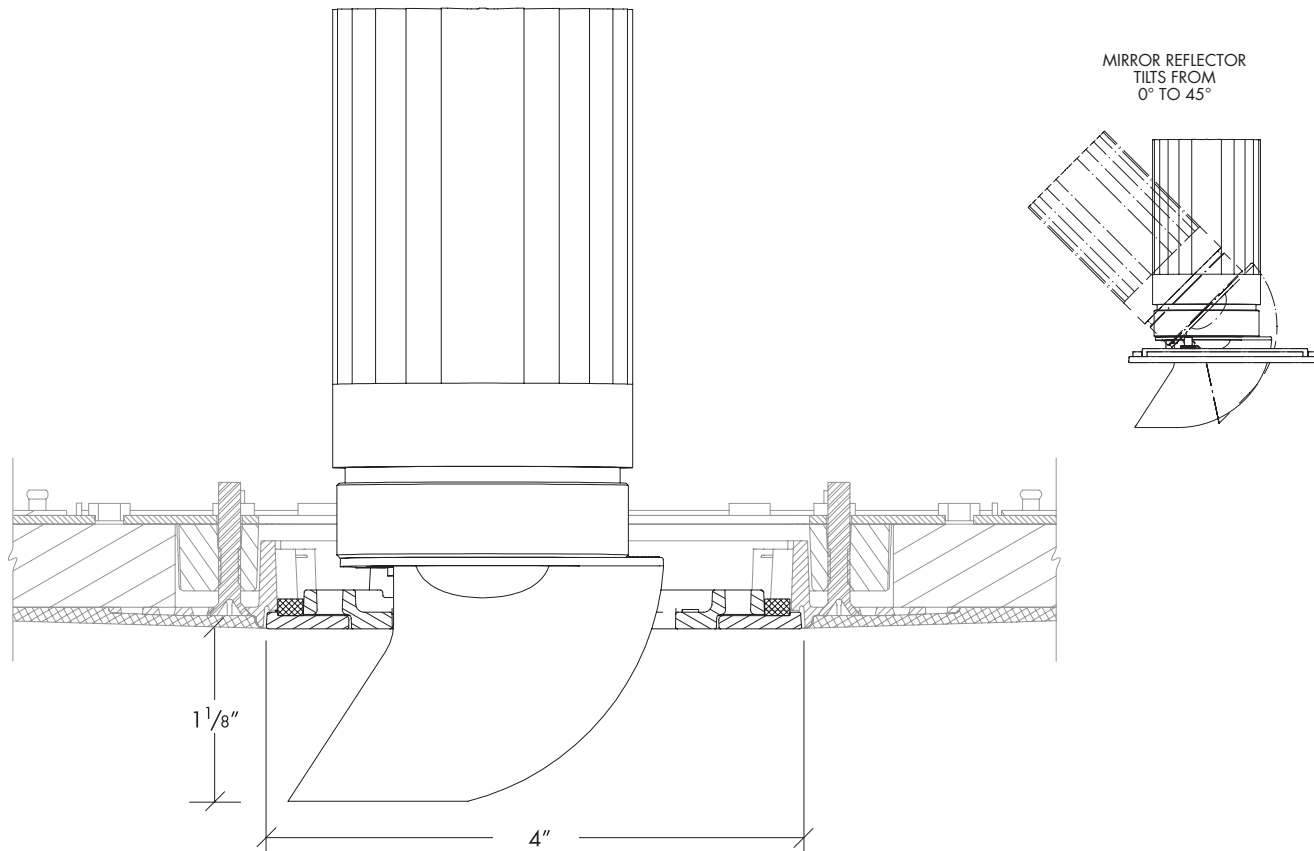


**OB**-OIL-RUBBED BRONZE



**BK**-BLACK

## LAMP MODULE M – TRIM ASSEMBLY CROSS SECTION DETAIL



**Note:**Cross sections are for illustration purposes only. Refer to housing installation instructions for complete installation details.