


# TRIM: INR-P - INSET SERIES™

4" TRIM, 1 3/4" APERTURE FOR PLASTER/SHEETROCK CEILING APPLICATIONS

Project Name	
Date	Type
Prepared By	
Comments	
Catalog #	<b>INR - P - 1 -</b> /




**eight**  
LIGHTING

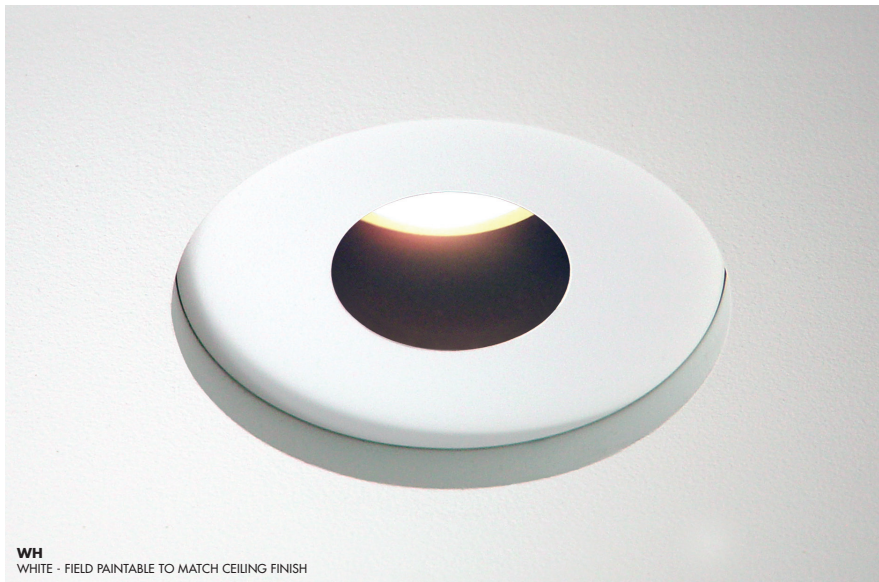
526 Portal Street  
Cotati, CA 94931  
USA  
P 707.794.0888  
F 707.795.4379  
www.8lighting.com

All No. 8 Lighting fixtures and components are UL/CSA listed. U.S. Patents Pending on the Seamless™ and Inset™ Series trims as well as the type A Lamp Module. No. 8 Lighting reserves the right to change details of design, materials, and finish.

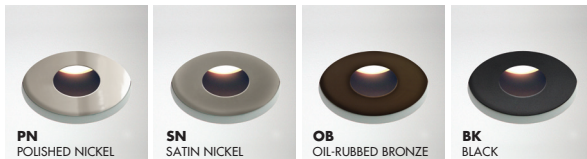
© 2018 No. 8 Lighting  
Doc # 91330-11.3



## PRODUCT FEATURES



**WH**  
WHITE - FIELD PAINTABLE TO MATCH CEILING FINISH



### Trim Assembly

- **INR-P** trim recesses 1/2" above ceiling surface. Designed for sheetrock ceilings with painted or integral color drywall compound/plaster finishes
- Optimized for use with 800 Series lamp modules: **A, J2/J2S** and **K2/K2S**. Not recommended for use with lamp modules: B, L2/L2S, or M2/M2S.
- Accommodates 1/2" - 1 1/2" thick ceilings. Note: ceiling thicknesses less than 1" require additional 1/2" clearance above housing.
- Die-cast from Zinc alloy for maximum strength, stability, and corrosion resistance.
- Minimal 1 3/4" aperture.
- Unique magnetic trim plate is removable without marring finishes.
- Overlapping and self-leveling plaster ring sandwiches against sheetrock for a strong and fail-proof installation.
- Works with all Number Eight 800 Series housings.
- Available with optional factory installed lenses for harsh environment and beam modification applications. **All lensed trim plates are rated for use in dry, damp, or wet locations (covered ceiling applications only).**
- Available in many designer finishes including: White, Polished Nickel\*\*, Satin Nickel\*\*, Oil-Rubbed Bronze\*\*, and Black\*\*.

**\*\*Lot variations in specialty finishes may occur. Ordering ALL trim kits at the same time is recommended to minimize variations in finishes.**

## PRODUCT SPECIFIER/PRODUCT ORDER NUMBER




**INR-R**  
Trim INSET 1/2" above finished ceiling  
4" ROUND flangeless w/ 1 3/4" square aperture  
Note: One-piece die-cast assembly creates 1/2" inset above ceiling.

**P**  
PLASTER/SHEETROCK ceiling applications (1/2" minimum - 1 1/4" maximum sheetrock thickness).

**1**  
For 5/32" thick drywall compound or plaster finishes

**WH**  
WHITE - Field paintable to match ceiling finish  
**PN**  
POLISHED NICKEL\*  
**SN**  
SATIN NICKEL\*  
**OB**  
OIL-RUBBED BRONZE\*  
**BK**  
BLACK\*

\*Specialty finish. Additional lead time required.

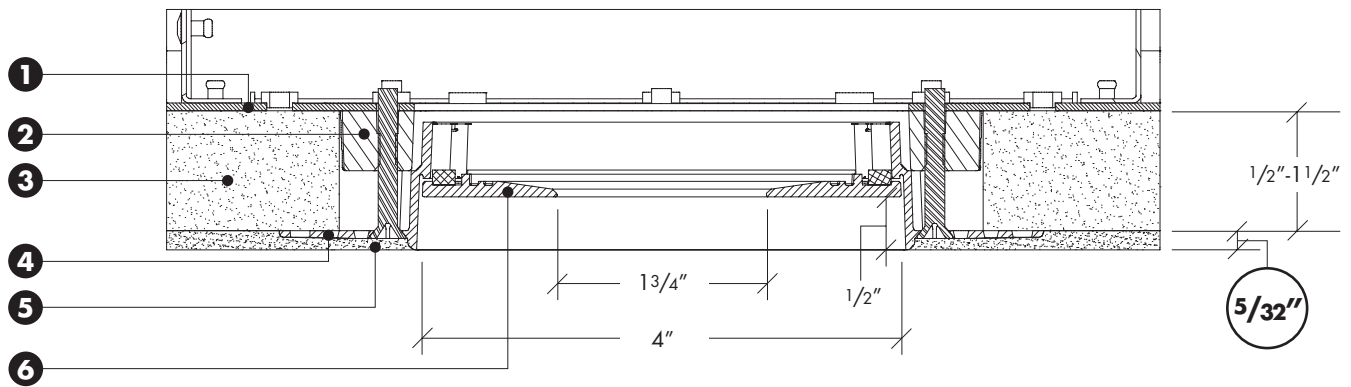
**SF**  
SOFT FOCUS LENS installed in trim plate\*

**CL**  
CLEAR LENS installed in trim plate\*

**WW**  
WALL WASH lens installed in trim plate\*

\*Lensed trim plate rated for use in DRY, DAMP, or WET locations (covered ceiling applications only).

TYPE P1 – TRIM ASSEMBLY CROSS SECTION DETAIL – FOR  $5/32''$  CEILING FINISH



- 1) Housing
- 2) Frame – May be installed before or after sheetrock.
- 3) Sheetrock – Accommodates all thickness from  $1/2''$  to  $1\ 1/2''$ . Note: ceiling thicknesses less than  $1''$  require additional  $1/2''$  clearance above housing.
- 4) Inset Mud Ring (type P1 for  $5/32''$  ceiling finish) – Sandwiches against ceiling material.
- 5) Ceiling Finish (drywall compound or plaster) –  $5/32''$  maximum.
- 6) Trim Plate – Features unique magnetic attachments. Mounts  $1/2''$  above finished ceiling.

**Note:** Cross sections are for illustration purposes only. Refer to P-Series trim installation instructions for complete installation details.