


# TRIM: **FLR-W** - SEAMLESS SERIES™ / FLANGED ROUND

4" TRIM, 1 3/4" APERTURE FOR WOOD/STONE/ACOUSTIC TILE/SHEETROCK CEILING APPLICATIONS



**eight**  
LIGHTING

526 Portal Street  
Cotati, CA 94931  
USA  
P 707.794.0888  
F 707.795.4379  
www.8lighting.com

All No. 8 Lighting fixtures and components are UL/CSA listed. U.S. Patents Pending on the Seamless™ and Inset™ Series trims as well as the type A Lamp Module. No. 8 Lighting reserves the right to change details of design, materials, and finish.

© 2017 No. 8 Lighting  
Doc # 91308-11.1



Project Name	
Date	Type
Prepared By	
Comments	
Catalog # <b>FLR - W -</b> /	

## PRODUCT FEATURES

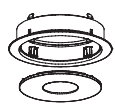
**WH**  
WHITE - FIELD PAINTABLE TO MATCH CEILING FINISH

### Trim Assembly

- **FLR-W** flanged trim designed for wood, stone, acoustic tile, or sheetrock ceilings.
- 4" trim plate with minimal 1 3/4" aperture installs flush with the finished ceiling.
- Field adjustable to accommodate ceiling thickness between 1/2" - 1 1/2".
- Die-cast from Zinc alloy for maximum strength, stability, and corrosion resistance.
- Unique magnetic trim plate is removable without marring finishes.
- 4 3/4" wide flanged trim overlaps 4 3/8" ceiling cutout. Height and rotation can be adjusted before or after ceiling installation.
- Works with all Number Eight 800 Series housings.
- Available with optional factory installed lenses for harsh environment and beam modification applications. **All lensed trim plates are rated for use in dry, damp, or wet locations (covered ceiling applications only).**
- Available in many designer finishes including: White, Polished Nickel\*\*, Satin Nickel\*\*, Oil-Rubbed Bronze\*\*, and Black\*\*.

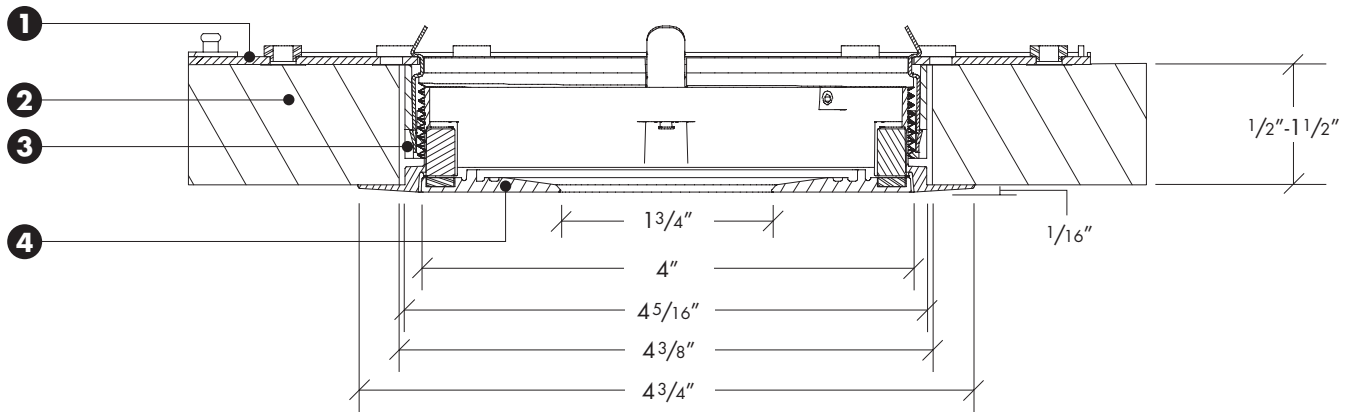
**\*\*Lot variations in specialty finishes may occur. Ordering ALL trim kits at the same time is recommended to minimize variations in finishes.**

## PRODUCT SPECIFIER/PRODUCT ORDER NUMBER

<b>FLR</b>	-	<b>W</b>	-	/		
TRIM ASSEMBLY	+	TRIM APPLICATION	+	TRIM FINISH	/	LENS OPTIONS
 <p><b>FLR</b> 4" ROUND trim plate w/ 1 3/4" aperture installs flush with 4 3/4" FLANGED trim</p>	<p><b>W</b> WOOD/STONE/ACOUSTIC TILE/SHEETROCK ceiling applications (1/2" min - 1 1/2" max)</p>	<p><b>WH</b> WHITE - Field paintable to match ceiling finish</p> <p><b>PN</b> POLISHED NICKEL*</p> <p><b>SN</b> SATIN NICKEL*</p> <p><b>OB</b> OIL-RUBBED BRONZE*</p> <p><b>BK</b> BLACK*</p> <p>*Specialty finish. Additional lead time required.</p>	<p><b>CL</b> CLEAR LENS installed in trim plate*</p> <p><b>SF</b> SOFT FOCUS LENS installed in trim plate*</p> <p><b>WW</b> WALL WASH lens installed in trim plate*</p> <p>*Lensed trim plate rated for use in DRY, DAMP, or WET locations (covered ceiling applications only).</p>			

91308-11.1 PAGE 1

TRIM ASSEMBLY CROSS SECTION DETAIL



- 1) Housing**
- 2) Wood/Stone/Acoustic Tile Ceiling Material** – Accommodates all thickness from 1/2" to 1 1/2".
- 3) Flanged Flush Trim Kit** – 4 3/4" wide flanged trim overlaps 4 3/8" ceiling cut out. Height and rotation can be adjusted before or after ceiling installation.
- 4) Trim Plate** – Features unique magnetic attachments. Mounts flush to finished ceiling.

**Note:** Cross sections are for illustration purposes only. Refer to W-Series trim installation instructions for complete installation details.